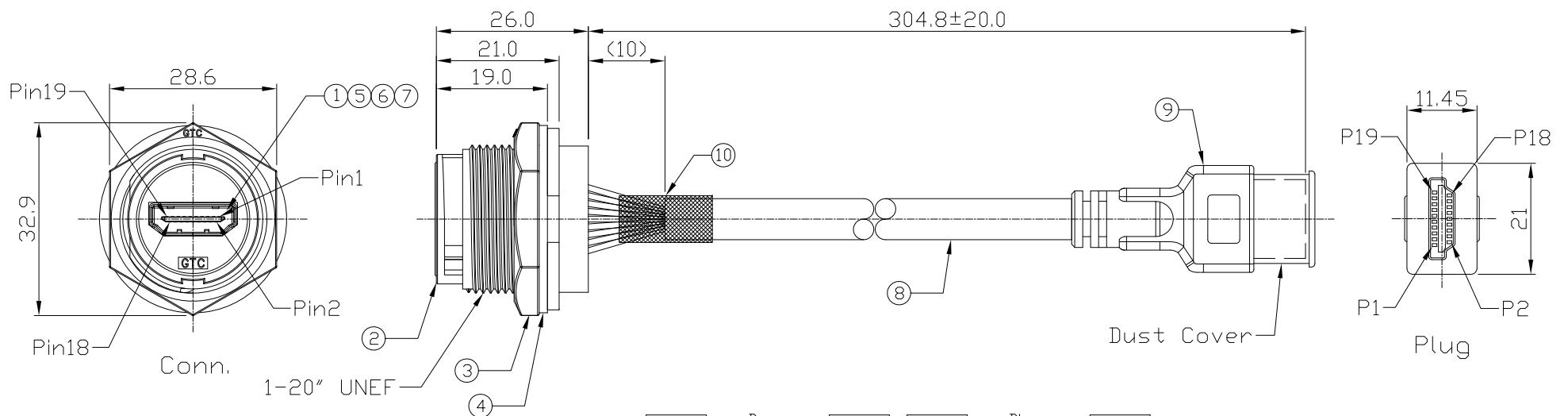


Notes: (Unless Otherwise Specified)
 1. Waterproof Rate: IP68.
 2. RoHS Compliant.

REV	ECN#	DESCRIPTION OF REVISION	DRAW BY DATE	CHECK BY DATE	APPROVE BY DATE
01			Joyce 10/14/15	Lucas 10/14/15	Ray 10/14/15

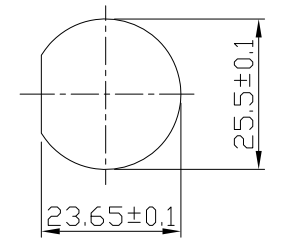


10	Shrink Tube	L=20mm Color: Black	1
9	HDMI Male	HDMI 19P Male IDC Type Color: Black	1
8	Cable	UL20276 [(28#/1PR+EAM)*4+(1PR/28#+EAM)+28#/4C]+AB85Z Color: Black, OD=6.8mm	1
7	Glue	Epoxy Color: Black	
6	Hold	Silicone Color: Black	1
5	PCB	FR-4 Color: Black	1
4	Gasket	Silicone Color: Black	1
3	Hex Nut	Thermoplastic Color: Black	1
2	Housing	Thermoplastic Color: Black	1
1	HDMI Female	Housing: Thermoplastic, Color: Black Contacts: Copper Alloy, Finish: Au Plated Shell: Copper Alloy, Finish: Ni Plated	1
Item	Part Name	Material / Finish	Qty

R&D DEPT. ISSUE
 OCT.15,2015
 ONLY FOR
 RELEASE

1	Brown	1	10	Blue	10
2	Drain	2	11	Drain	11
3	White	3	12	White	12
4	Red	4	13	Black	13
5	Drain	5	14	Red	14
6	White	6	15	Orange	15
7	Green	7	16	Yellow	16
8	Drain	8	17	Drain	17
9	White	9	18	Purple	18
			19	White	19
			Shell	Drain+Braid	Shell

Wiring Diagram



Recommend
 Panel Cut-Out

TITLE						DRAWING NUMBER			REV.	
HDMI C4 Plastic Panel Female Lock With HDMI Plug						RR-1H1200-02-XX			01	
DD NOT SCALE DRAWINGS	B	1:1	Joyce 10/14/15	Lucas 10/14/15	Ray 10/14/15	X.X ± 0.5	X.XXX ± 0.05	mm	1/1	
THIRD ANGLE PROJECTION	SIZE	SCALE	DRAW / DATE	CHECK / DATE	APPROVE / DATE	TOLERANCES		UNIT	SHEET	


USB FIREWIRE.com

THE INFORMATION CONTAINED HEREIN IS THE PROPRIETARY INFORMATION OF RR BUSINESS VENTURES, LLC. THE POSSESSOR AGREES TO THE FOLLOWING:
 1. MAINTAIN THIS DOCUMENT IN CONFIDENCE
 2. NOT TO REPRODUCE OR COPY IT
 3. NOT TO REVEAL OR PUBLISH IT IN WHOLE OR IN PART

COPYRIGHT © 2019