

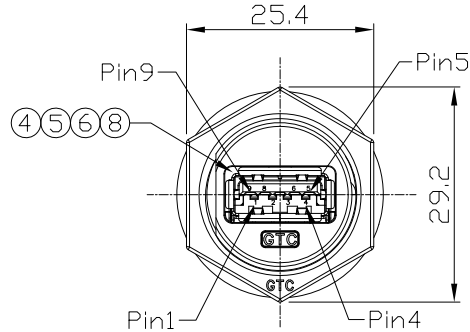
Notes: (Unless Otherwise Specified)

- 1. Waterproof Rate: IP67.
- 2. Recommend Panel Thickness: 0.8 to 6.0 mm.
- 3. Recommend Torque: 19~20 Kgf-cm.
- 4. Mating Cap P/N: GT2C2130X2/GT1C5331X2.
- 5. RoHS Compliant.
- 6. 產品採用USB 10PCS吸塑盒包裝,並於吸塑盒上蓋貼上標籤

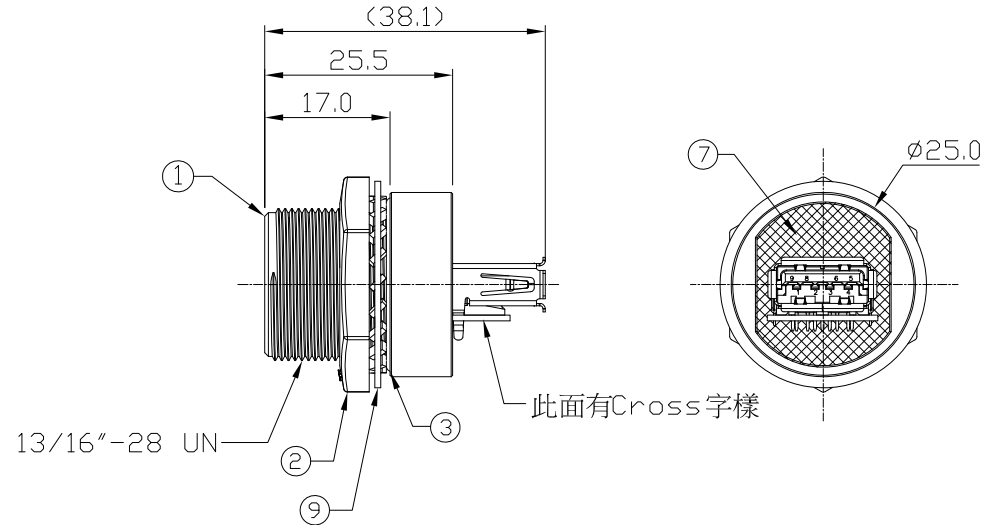
RR-218300-35_REV:XX_QTY:10PCS
LOT: XXXX
Made in China

7. 標籤上的REV: 請依照成品圖面版本

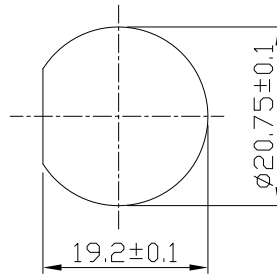
GTC
 R&D DEPT. ISSUE
 JUL.12.2016
 ONLY FOR
 RELEASE



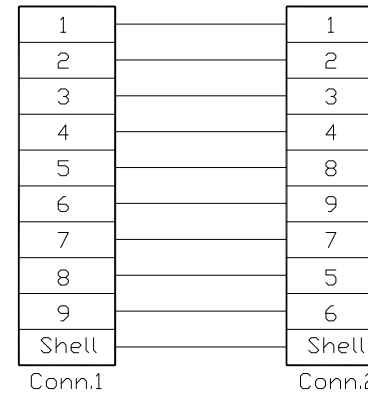
REV	ECN#	DESCRIPTION OF REVISION	DRAW BY DATE	CHECK BY DATE	APPROVE BY DATE
01			Lucas 07/06/16	Lucas 07/06/16	Ray 07/06/16



9	Metal Washer	SUS	1
8	EMI Shielded Plate	Copper Finish: Ni Plated	1
7	Glue	Epoxy Color: Black	
6	PCB	FR-4 Color: Green	1
5	Hold	Silicone Color: Black	1
4	USB-A 3.0 Receptacle	Housing: Thermoplastic, Color: Blue Contacts: Copper Alloy, Finish: Au Plated Shell: Stainless, Finish: Non	2
3	O-Ring	Silicone Color: Red	1
2	Hex Nut	Zn Alloy Finish: Ni Plated	1
1	Housing	Zn Alloy Finish: Ni Plated	1
Item	Part Name	Material / Finish	Q'ty



Recommend Panel Cut-Out



TITLE						DRAWING NUMBER			REV.
USB-A 3.0 Metal C3 Panel Jack Screw With Coupler Cross wiring						RR-218300-35			01

THIRD ANGLE PROJECTION	SIZE	SCALE	DRAW / DATE	CHECK / DATE	APPROVE / DATE	TOLERANCES	UNIT	SHEET
DD NOT SCALE DRAWINGS	B	1:1	Lucas 07/06/16	Lucas 07/06/16	Ray 07/06/16	X.X ± 0.5 X.XX ± 0.2	mm	1/1

THE INFORMATION CONTAINED HEREIN IS THE PROPRIETARY INFORMATION OF RR BUSINESS VENTURES, LLC. THE POSSESSOR AGREES TO THE FOLLOWING:
 1. MAINTAIN THIS DOCUMENT IN CONFIDENCE
 2. NOT TO REPRODUCE OR COPY IT
 3. NOT TO REVEAL OR PUBLISH IT IN WHOLE OR IN PART
 COPYRIGHT © 2019