

Notes: (Unless Otherwise Specified)

- 1. Waterproof Rate: IP68.
- 2. Recommend Panel Thickness : 0.8 to 6.0 mm.
- 3. Recommend Torque: 19~20 Kgf-cm.
- 4. Mating Cap P/N: GT1C5231X2/GT2C123012.
- 5. RoHS Compliant.
- 6. 產品採用USB 10PCS吸塑盒包裝,並於吸塑盒上蓋貼上標籤.

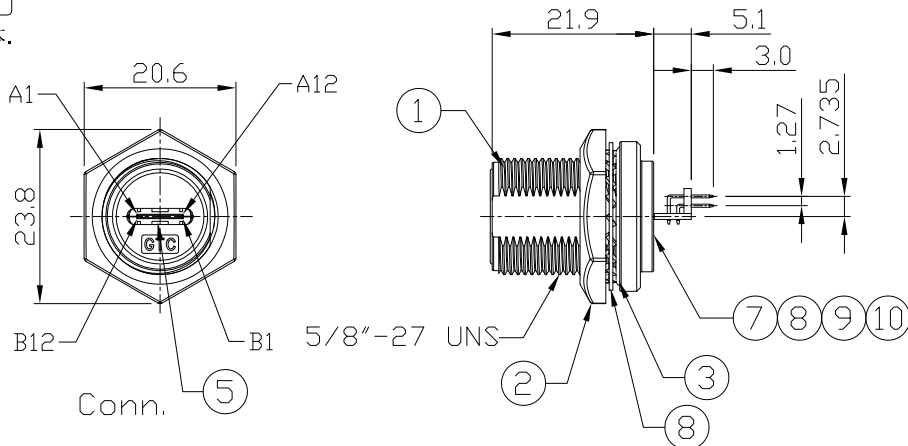
RR-21C300-10\_REV:XX\_QTY:10PCS  
**LOT: XXXX**  
**Made in China**

7. 標籤上的REV: 請依照成品圖面版本.

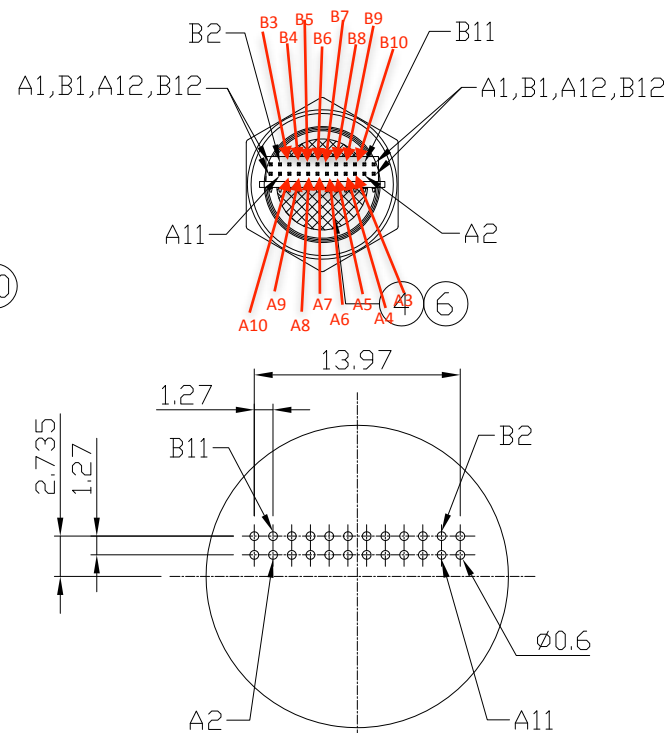
8. Type C AB面接點需跟圖面一致.

REV	ECN#	DESCRIPTION OF REVISION	DRAW BY DATE	CHECK BY DATE	APPROVE BY DATE
02	ECN-190634	Increase drawing requirements	Lucas 07/11/19	Lucas 07/11/19	Ray 07/11/19

GTC  
 DOC.CENTER.ISSUE  
**JUL.12.2019**  
 ONLY FOR  
 RELEASE



Front View  
Recommend  
Panel Cut-Out



Recommend PCB Layout  
<Scale 2/1>

Item	Part Name	Material / Finish	Qty
10	Pin Header	Housing: Thermoplastic, Color: Black Contacts: Copper Alloy, Finish: Au Plated	1
9	PCB	FR-4 Color: -	1
8	Metal Washer	SUS Finish:-	1
7	EMI Shielded Plate	Copper Alloy Finish: Ni Plated	1
6	Glue	Epoxy Color: Black	
5	USB Type C 3.1	Housing: Thermoplastic, Color: Black Contacts: Copper Alloy, Finish: Au 30u" Plated Shell: Stainless Steel, Finish: Au Plated	1
4	Hold	Silicone Color: Black	1
3	O-Ring	Silicone Color: Red	1
2	Hex Nut	Zn Alloy Finish: Ni Plated	1
1	Housing	Zn Alloy Finish: Ni Plated	1

TITLE						DRAWING NUMBER			REV.
USB 3.1 Type C Metal C2 Panel Jack Screw Dip						RR-21C300-10			02
THIRD ANGLE PROJECTION	SIZE	SCALE	DRAW / DATE	CHECK / DATE	APPROVE / DATE	TOLERANCES		UNIT	SHEET
	B	1:1	Lucas 07/16/18	Lucas 07/16/18	Ray 07/16/18	X.X ± 0.5 X.XX ± 0.2	X.XXX ± 0.05 ANGLES ± 1°	mm	1/1

THE INFORMATION CONTAINED HEREIN IS THE PROPRIETARY INFORMATION OF RR BUSINESS VENTURES, LLC. THE POSSESSOR AGREES TO THE FOLLOWING:

1. MAINTAIN THIS DOCUMENT IN CONFIDENCE
2. NOT TO REPRODUCE OR COPY IT
3. NOT TO REVEAL OR PUBLISH IT IN WHOLE OR IN PART

COPYRIGHT © 2019