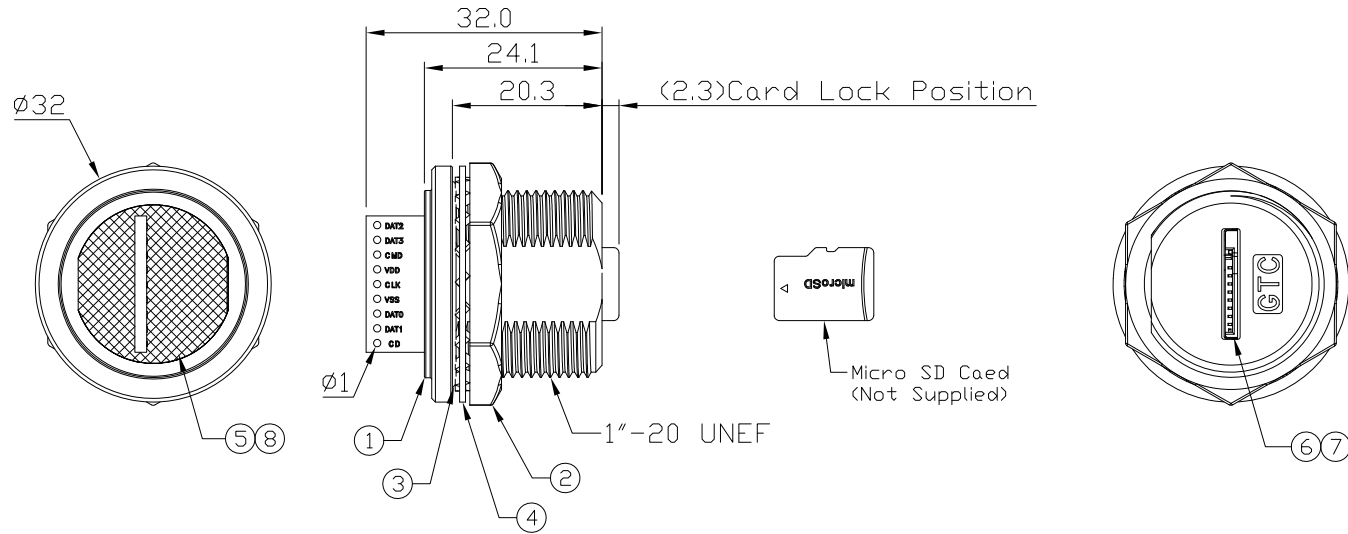


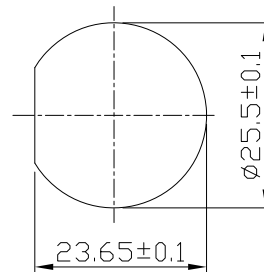
Notes: (Unless Otherwise Specified)

1. Waterproof Rate: IP68.
2. Recommend Panel Thickness: 0.8 to 6.0 mm.
3. Recommend Torque: 19~20 Kgf-cm.
4. Mating Cap: GT2CMSDXX
5. RoHS Compliant.

REV	ECN#	DESCRIPTION OF REVISION	DRAW BY DATE	CHECK BY DATE	APPROVE BY DATE
01			Lucas 06/12/20	Lucas 06/12/20	Ray 06/12/20




8	Glue	Epoxy Color: Black	
7	Micro SD Card Push Push Type	Housing: Thermoplastic, Color: Black Contacts: Copper Alloy, Finish: Au Plated Shell: Stainless Steel, Finish: Ni Plated	1
6	PCB	FR-4 Color: —	1
5	Holder	Silicone Color: Black	1
4	Metal Washer	Stainless Finish: —	1
3	O-Ring	Silicone Color: Red	1
2	Hex Nut	Zn Alloy Finish: Ni Plated	1
1	Housing	Zn Alloy Finish: Ni Plated	1
Item	Part Name	Material / Finish	QTY



Recommend  
Panel Cut-Out

TITLE						DRAWING NUMBER			REV.	
Micro SD Card Metal C4 Panel Jack Screw						RR-2MSD01P1			01	
THIRD ANGLE PROJECTION	SIZE	SCALE	DRAW / DATE	CHECK / DATE	APPROVE / DATE	TOLERANCES		UNIT	SHEET	
	B	1:1	Lucas 06/12/20	Lucas 06/12/20	Ray 06/12/20	X.X ± 0.5 X.XX ± 0.2	X.XXX ± 0.05 ANGLES ± 1°	mm	1/1	

  
**USB FIREWIRE**.com

THE INFORMATION CONTAINED HEREIN IS PROPRIETARY AND CONFIDENTIAL TO RR BUSINESS VENTURES, LLC. THE POSSESSOR AGREES TO THE FOLLOWING  
 1. MAINTAIN THIS DOCUMENT IN CONFIDENCE  
 2. NOT TO REPRODUCE OR COPY IT  
 3. NOT TO REVEAL OR PUBLISH IT IN WHOLE OR PART