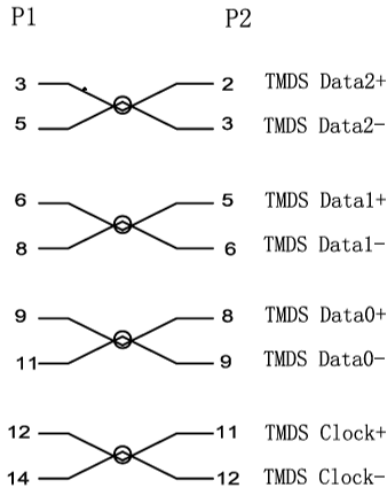


ROHS Compliant

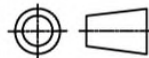
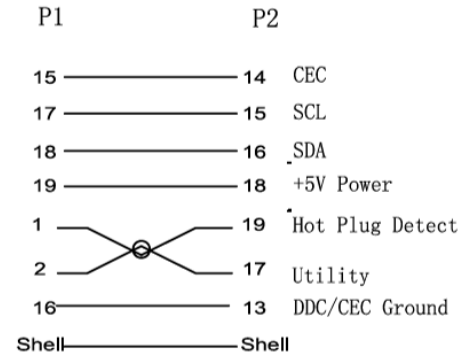
ELECTRICAL CHARACTER:

- a. 100% OPEN & SHORT TESTING;
- b. WITHSTANDING VOLTAGE:DC 300V 0.01Sec;
- c. INSULATION RESISTANCE:5M Ohm (Min);
- d. CONDUCTIVE RESISTANCE:3 Ohm (Max)

PIN ASSIGNMENT



PIN ASSIGNMENT



www.USBFireWire.com

NO	Descriptron	Q	TY	Unit	ANGLE	Tolerance, Unless Otherwise Specified	DRAW:	TITLE	HDMI CM TO DM
4	65P Black PVC					UP TO 5 ±0.2			
3	HDMI CM, BLACK INSULATION, SHELL 3U" GOLD PLATED WITH SOLDER(P/N YQT-HCM3)					ABOVE 5 —30 ±0.3	CHECKED:	PART NO.	RR-7S-5S-XXGX
2	HDMI DM, BLACK INSULATION, SHELL 3U" GOLD PLATED WITH SOLDER(P/N YQT-HDM3)					ABOVE 30 —50 ±0.4	APPROVED:	DRAW NO.	
1	(1P*30AWG+AL)*5C+5C*30AWG+AL+D+B OD4.5 L=12in/24in/6ft Black					ABOVE 50 ±0.5	DATE	SCALE	1:1 UNIT mm