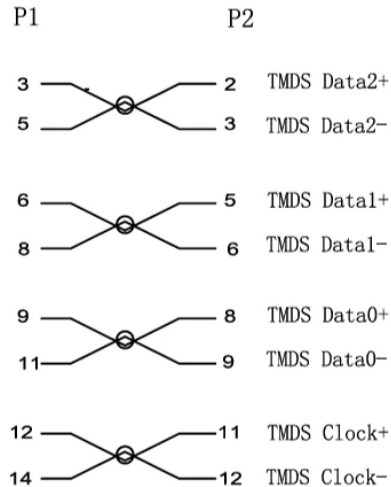


ROHS Compliant

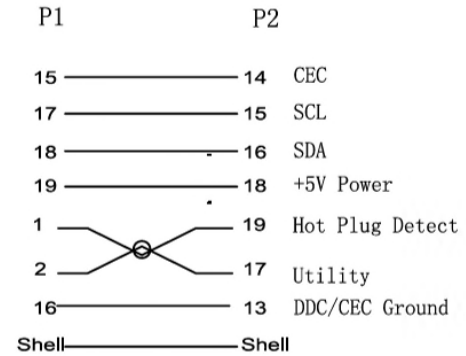
ELECTRICAL CHARACTER:

- a. 100% OPEN & SHORT TESTING;
- b. WITHSTANDING VOLTAGE:DC 300V 0.01Sec;
- c. INSULATION RESISTANCE:5M Ohm(Min) ;
- d. CONDUCTIVE RESISTANCE:3 Ohm(Max)

PIN ASSIGNMENT



PIN ASSIGNMENT



						www.USBFireWire.com					
4	65P Black PVC					DRAW:		TITLE	HDMI CM TO DM		
3	HDMI CM, BLACK INSULATION, SHELL 3U" GOLD PLATED WITH SOLDER(P/N YQT-HCM3)						CHECKED:		PART NO.	RR-7U-5S-XXGX	
2	HDMI DM, BLACK INSULATION, SHELL 3U" GOLD PLATED WITH SOLDER(P/N YQT-HDM3)					APPROVED:			DRAW NO.		
1	(1P*30AWG+AL)*5C+5C*30AWG+AL+D+B OD4.5 L=12in/24in/6ft Black						DATE		SCALE	1:1	UNIT
NO	Descriptron	Q	TY	Unit	ANGLE						

Tolerance, Unless Otherwise Specified	
UP TO 5	±0.2
ABOVE 5 —30	±0.3
ABOVE 30—50	±0.4
ABOVE 50	±0.5