

1

2

3

4

Notes: (Unless Otherwise Specified)

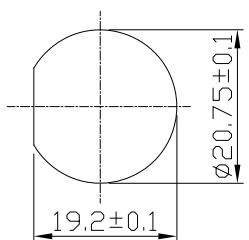
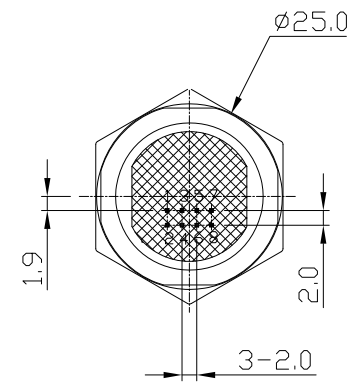
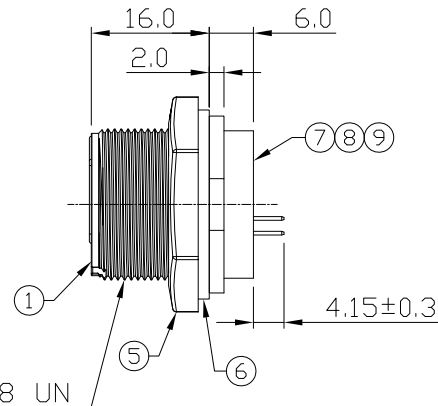
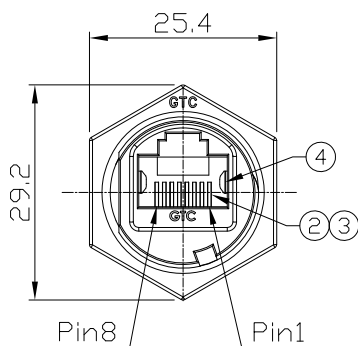
- 1. Waterproof Rate: IP68.
- 2. Recommend Panel Thickness: 0.8 to 4.0 mm.
- 3. Recommend Torque: 14.0~15.0 Kgf-cm.
- 4. Mating Cap P/N: GT1C5331X2.
- 5. RoHS Compliant.
- 6. 產品採用USB 10PCS吸塑盒包裝;並於吸塑盒上蓋貼上標籤.

RR-125300-11\_REV:XX\_QTY:10PCS  
**LOT: XXXX**  
**Made in China**

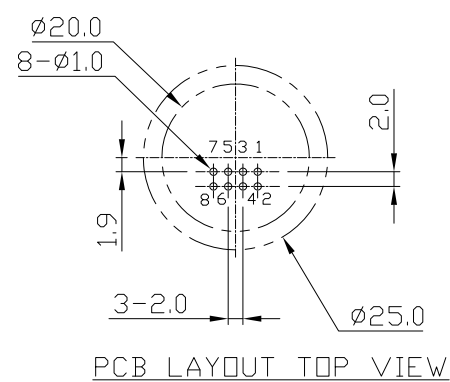
7. 標籤上的REV: 請依照成品圖面版本.

GTC  
 DOC.CENTER.ISSUE  
**JUL.02.2019**  
 ONLY FOR  
 RELEASE

REV	ECN#	DESCRIPTION OF REVISION	DRAW BY DATE	CHECK BY DATE	APPROVE BY DATE
01			Whitney 06/27/19	Lucas 06/27/19	Ray 06/27/19



Recommended Panel Cut-Out



PCB LAYOUT TOP VIEW

9	Glue	Epoxy Color: Black	
8	Pin Header	Housing: Thermoplastic; Color: Black Contacts: Copper Alloy; Finish: Au Plated	1
7	PCB	FR-4 Color: -	2
6	Gasket	Silicone Color: Black	1
5	Hex Nut	Thermoplastic Color: Black	1
4	EMI Shielded Plate	Copper Alloy Finish: Ni Plated	2
3	Holder	Thermoplastic Color: Black	1
2	RJ45 Receptacle	Housing: Thermoplastic, Color: Gray Contacts: Copper Alloy, Finish: Au Plated	1
1	Housing	Thermoplastic Color: Black	1
Item	Part Name	Material / Finish	Q'ty

TITLE						DRAWING NUMBER			REV.
RJ45 Plastic C3 Panel Jack Dip 180° Screw						RR-125300-11			01
	B	1:1	Whitney 06/27/19	Lucas 06/27/19	Ray 06/27/19	X.X ± 0.5 X.XX ± 0.2	X.XXX ± 0.05 ANGLES ± 1°	mm	1/1
THIRD ANGLE PROJECTION	SIZE	SCALE	DRAW / DATE	CHECK / DATE	APPROVE / DATE	TOLERANCES		UNIT	SHEET

**USB FIREWIRE.com**  
THE INFORMATION CONTAINED HEREIN IS THE PROPRIETARY INFORMATION OF RR BUSINESS VENTURES, LLC. THE POSSESSOR AGREES TO THE FOLLOWING  
 1. MAINTAIN THIS DOCUMENT IN CONFIDENCE  
 2. NOT TO REPRODUCE OR COPY IT  
 3. NOT TO REVEAL OR PUBLISH IT IN WHOLE OR IN PART  
COPYRIGHT © 2019

1

2

3

4