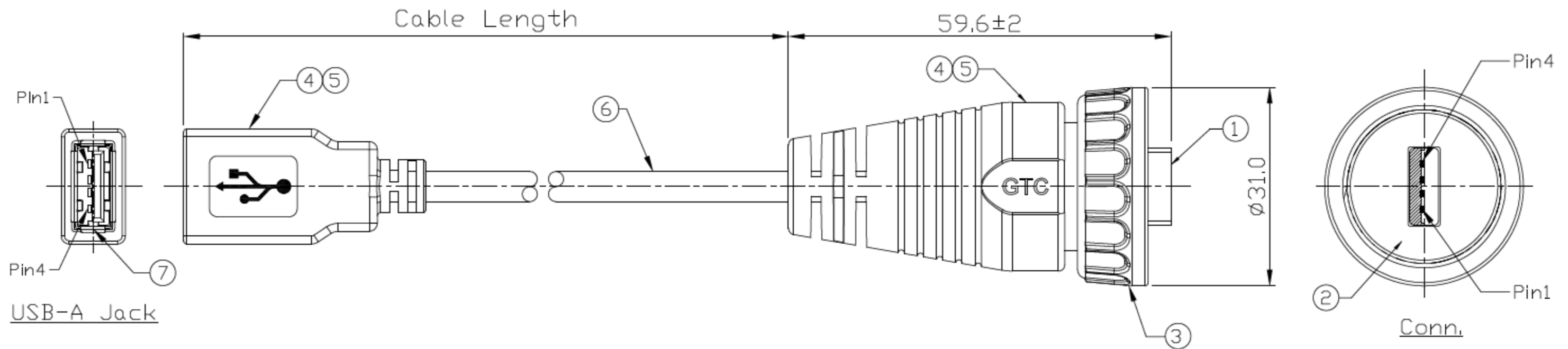


Notes: (Unless Otherwise Specified)
 1. Waterproof Rate: IP68,
 2. RoHS & REACH Compliant.

REV	ECN#	DESCRIPTION OF REVISION	DRAW BY DATE	CHECK BY DATE	APPROVE BY DATE
A0		Mass Production	Joyce 05/13/16	Lucas 05/13/16	Ray 05/13/16



DOC.CENTER.ISSUE
 NOV.14.2016
 ONLY FOR
 RELEASE



Wiring Diagram

Part No.	Cable Length	Tol.
RR-211320-06-38	990 mm	+50
RR-211320-06-12	305 mm	+50

www.USBFireWire.com

NOTICE OF PROPRIETARY PROPERTY
 THE INFORMATION CONTAINED HEREIN IS THE PROPRIETARY PROPERTY OF GT Contact CO.,LTD THE POSSESSOR AGREES TO THE FOLLOWING:
 (1) TO MAINTAIN THIS DOCUMENT IN CONFIDENCE
 (2) NOT TO REPRODUCE OR COPY IT
 (3) NOT TO REVEAL OR PUBLISH IT IN WHOLE OR PART
 (4) ALL RIGHTS RESERVED

Item	Part Name	Material / Finish	Q'ty
7	USB-A Receptacle	Housing: Thermoplastic, Color: White Contacts: Copper Alloy, Finish: Gold Flash Shell: SPCC, Finish: Ni Plated	1
6	Cable	UL2725 1P*28AWG+2C*24AWG+Al/My+D+B Color: Black, OD=5.0mm	1
5	Over Mold	PVC Color: Black	2
4	Inner Mold	Thermoplastic Color: Black Or White	2
3	Screw Nut	Zn Alloy Finish: Ni Plated	1
2	Rubber Pad	Silicone Color: Black	1
1	USB-A Plug	Housing: Thermoplastic, Color: Black Contacts: Copper Alloy, Finish: Au Plated Shell: Cold Roll Steel, Finish: Ni Plated	1

TITLE				DRAWING NUMBER			REV.	
USB-A Metal C4 Cable End Plug Screw With Cable+ USB-A Receptacle				RR-211320-06-XX			A0	
THIRD ANGLE PROJECTION	SIZE	SCALE	DRAW / DATE	CHECK / DATE	APPROVE / DATE	TOLERANCES	UNIT	SHEET
DD NOT SCALE DRAWINGS	B	1:1	Joyce 05/13/16	Lucas 05/13/16	Ray 05/13/16	X.X ± 0.5 X.XX ± 0.2	mm	1/1
						X.XXX ± 0.05 ANGLES ± 1°		