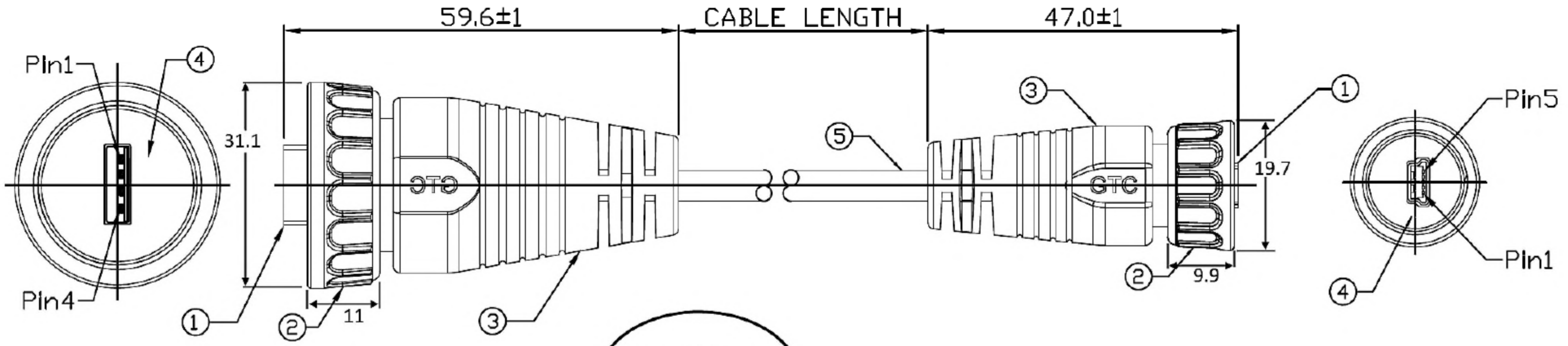


NOTES: (UNLESS OTHERWISE SPECIFIED)

1. MATCHING MATES: GT214300-XX
GT214300-XX-XX
2. CABLE LENGTH TOLERANCE:
0 to 1M± 40 mm
1 to 10M± 5% mm
OVER 10 M± 500 mm
3. RoHS Compliance.

REV	ECN#	DESCRIPTION OF REVISION	DATE
A0		MASS PRODUCTION	09/02/09



ITEM	MATERIAL
1	HOUSING: THERMAL PLASTIC UL94 V-0 COLOR: BLACK CONTACTS: COPPER ALLOY FINISH: GOLD
2	ZN ALLOY FINISH: NICKEL
3	PVC COLOR: BLACK
4	SILICONE COLOR: BLACK
5	PVC COLOR: BLACK

1	RED 24#	1
2	WHITE 28#	2
3	GREEN 28#	3
	N/C	4
4	BLACK 24#	5
Shield	DRAIN	Shield
USB-A		Mini USB

WIRING DIAGRAM

METRIC		www.USBFireWire.com	
DRAFTER KAREN	DATE 09/02/09	NOTICE OF PROPRIETARY PROPERTY: THE INFORMATION CONTAINED HEREIN IS THE PROPRIETARY PROPERTY OF GT CONTACT CELL TO THE POSSESSOR AGREES TO THE FOLLOWING: © TO MAINTAIN THIS DOCUMENT IN CONFIDENCE © NOT TO REPRODUCE OR COPY IT © NOT TO REVEAL OR PUBLISH IT IN WHOLE OR PART © ALL RIGHTS RESERVED	
APPROVED RAY	DATE 09/02/09		
DIMENSIONS ARE IN MILLIMETER TOLERANCES XX ±0.5 X.XX ±0.20 X.XXX ±0.05 ANGLES ±0.5° DO NOT SCALE DRAWINGS		TITLE ZN ALLOY MINI USB-B CABLE END CONNECTOR + STANDARD CABLE+OVER MOLDED WATERPROOF USB-A PLUG	
		DRAWING NUMBER RR-214320-0C-XX	REV. A0
SIZE B		SCALE 1:1	SHT 1 OF 1