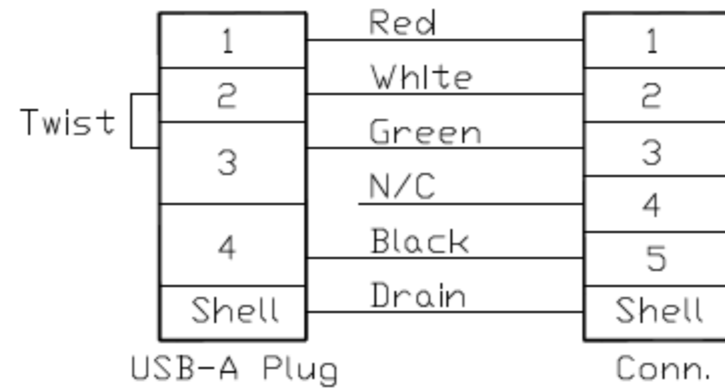
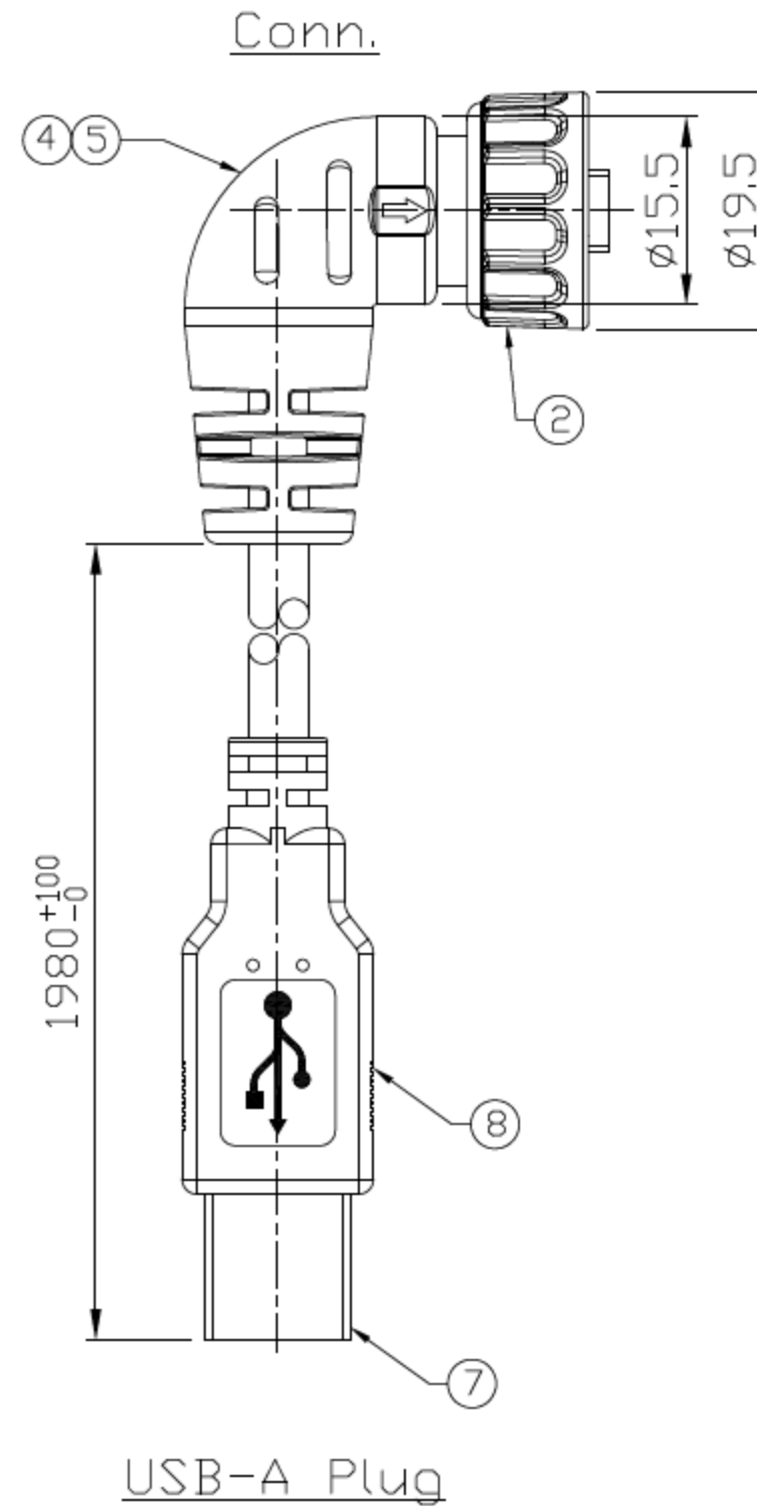


Notes: (Unless Otherwise Specified)
 1. Waterproof Rate: IP68.
 2. RoHS & REACH Compliant.

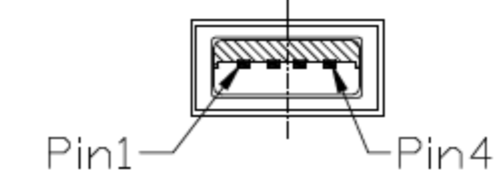
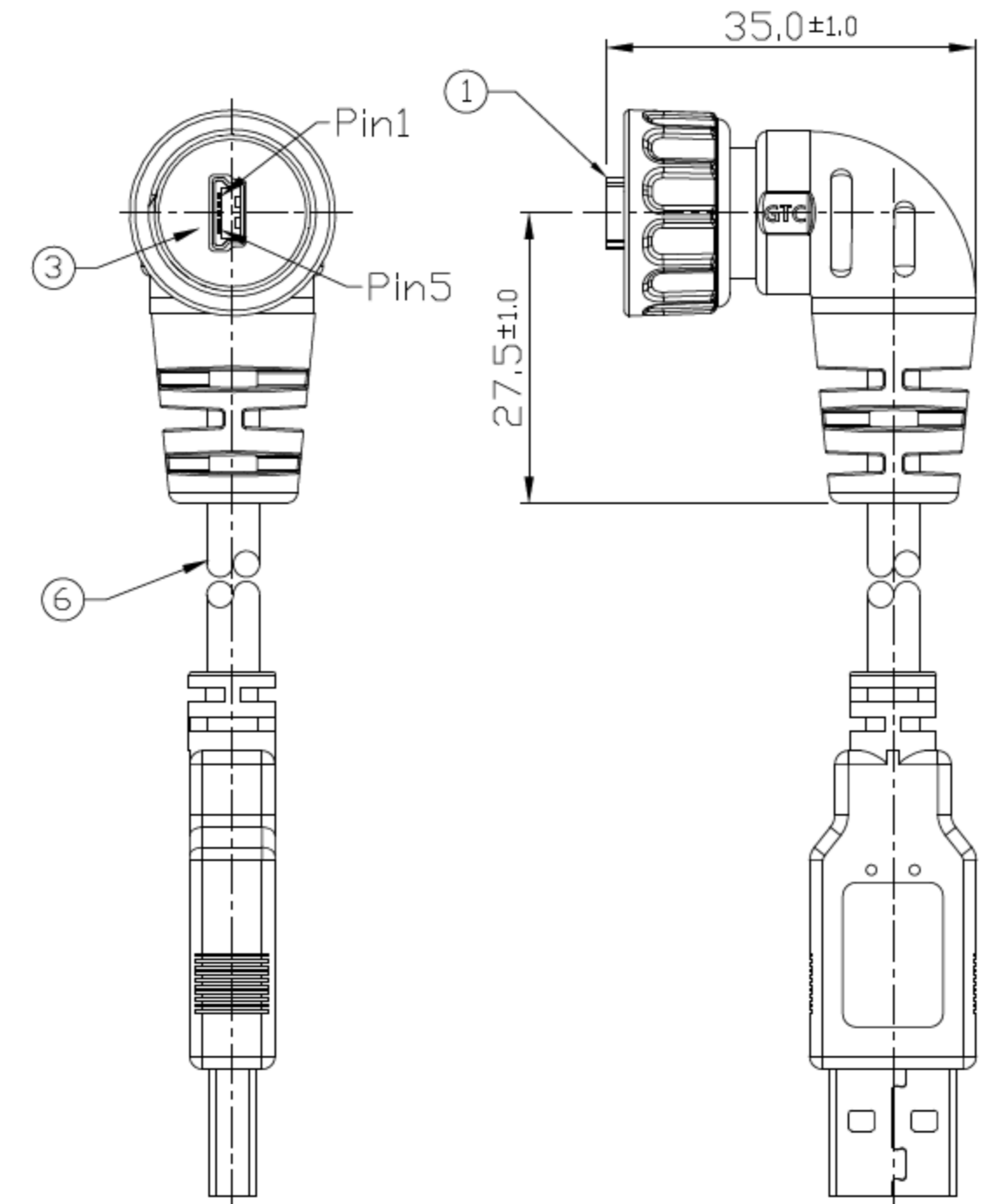
REV	ECN#	DESCRIPTION OF REVISION	DRAW BY DATE	CHECK BY DATE	APPROVE BY DATE
A0		Mass Production	Joyce 02/18/17	Lucas 02/18/17	Ray 02/18/17



Wiring Diagram



USB-A Plug



DOC.CENTER.ISSUE
 FEB.20.2017
 ONLY FOR
 RELEASE

Item	Part Name	Material / Finish	QTY
8	Over Mold	PVC Color: Black	1
7	USB-A Plug	Housing: Thermoplastic, Color: Black Contacts: Copper Alloy, Finish: Au Plated Shell: Cold Roll Steel, Finish: Ni Plated	1
6	Cable	UL2725 1P*28AWG+2C*24AWG+Al/My+D+B Color: Black, DD=5.0mm	1
5	Over Mold	PVC Color: Black	1
4	Inner Mold	Thermoplastic Color: Black	1
3	Rubber Pad	Silicone Color: Black	1
2	Screw Nut	Zn Alloy Finish: Ni Plated	1
1	Mini USB-B Plug	Housing: Thermoplastic, Color: Black Contacts: Copper Alloy, Finish: Au Plated Shell: Cold Roll Steel, Finish: Ni Plated	1

TITLE Mini USB-B Metal C2 Cable End Right Angle Plug Screw With 78inches Cable + USB-A Plug

DRAWING NUMBER RR-214329-05-78 REV. A0

www.USBFireWire.com

THIRD ANGLE PROJECTION	SIZE B	SCALE 1:1	DRAW / DATE Joyce 02/18/17	CHECK / DATE Lucas 02/18/17	APPROVE / DATE Ray 02/18/17	TOLERANCES X.X ± 0.5 X.XX ± 0.2	ANGLES X.XXX ± 0.05 ANGLES ± 1°	UNIT mm	SHEET 1/1
------------------------	--------	-----------	----------------------------	-----------------------------	-----------------------------	---------------------------------	---------------------------------	---------	-----------

NOTICE OF PROPRIETARY PROPERTY
 THE INFORMATION CONTAINED HEREIN IS THE PROPRIETARY PROPERTY OF GT CONTACT CO., LTD. THE POSSESSOR AGREES TO THE FOLLOWING:
 (1) TO MAINTAIN THIS DOCUMENT IN CONFIDENCE
 (2) NOT TO REPRODUCE OR COPY IT
 (3) NOT TO REVEAL OR PUBLISH IT IN WHOLE OR PART
 (4) ALL RIGHTS RESERVED