

1

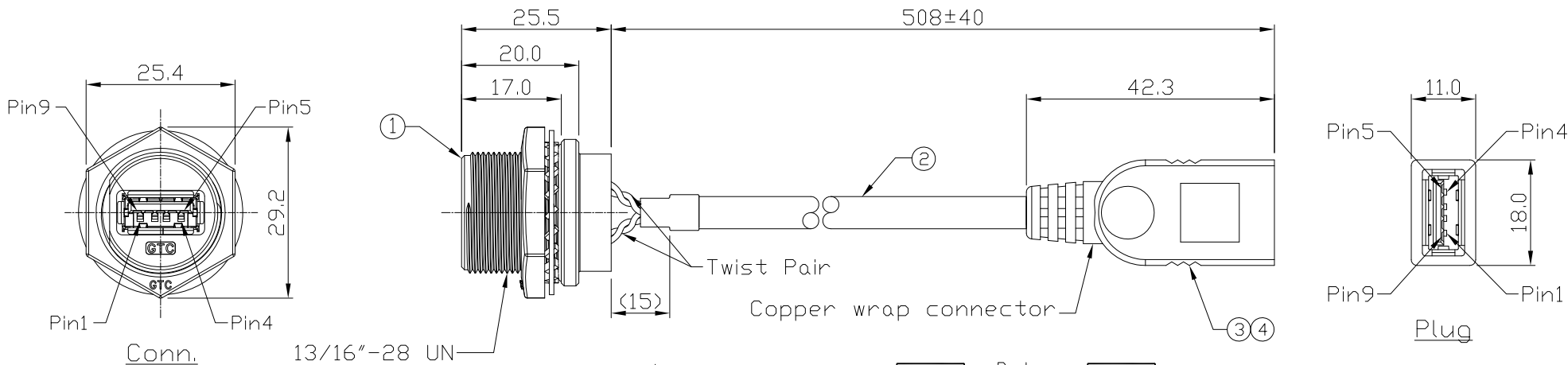
2

3

4

- 1. Waterproof Rate: IP68.
- 2. Recommend Panel Thickness: 0.8 to 6.0 mm.
- 3. Recommend Torque: 19~20 Kgf-cm.

REV	ECN#	DESCRIPTION OF REVISION	DRAW BY DATE	CHECK BY DATE	APPROVE BY DATE
01			Karen 12/04/15	Lucas 12/04/15	Ray 12/04/15



1	Red	1
2	White	2
3	Green	3
4	Black	4
5	Blue	5
6	Yellow	6
7	Drain	7
8	Purple	8
9	Orange	9
Shell	Braid	Shell

R&D DEPT. ISSUE  
 DEC.07.2015  
 ONLY FOR  
 RELEASE

Item	Part Name	Material / Finish	Q'ty
4	Over Mold	PVC Color: Black	1
3	USB-A 3.0 Receptacle	Housing: Thermoplastic, Color: Blue Contacts: Copper Alloy, Finish: Au Plated Shell: SPCC, Finish: Au Plated	1
2	Cable	UL2725 (1P*28AWG+EAM)*2+(1PR*28AWG+A)+2C*22AWG+AB 85% Color: Black, OD=5.5mm	1
1	USB-A 3.0 C3 Panel Jack		

Recommend Panel Cut-Out

Conn. Plug  
 Wiring Diagram

<b>TITLE</b> USB-A 3.0 Metal C3 Panel Jack Screw With 20 Inches Cable + USB-A 3.0 Receptacle						<b>DRAWING NUMBER</b> RR-218300-03-xx			<b>REV.</b> 01	
 THIRD ANGLE PROJECTION	B SIZE	1:1 SCALE	Karen 12/04/15 DRAW / DATE	Lucas 12/04/15 CHECK / DATE	Ray 12/04/15 APPROVE / DATE	X.X ± 0.5 X.XX ± 0.2	X.XXX ± 0.05 ANGLES ± 1°	mm UNIT	1/1 SHEET	TOLERANCES

THE INFORMATION CONTAINED HEREIN IS THE PROPRIETARY INFORMATION OF RR BUSINESS VENTURES, LLC. THE POSSESSOR AGREES TO THE FOLLOWING

1. MAINTAIN THIS DOCUMENT IN CONFIDENCE
2. NOT TO REPRODUCE OR COPY IT
3. NOT TO REVEAL OR PUBLISH IT IN WHOLE OR IN PART

COPYRIGHT © 2019

1

2

3

4