

1

2

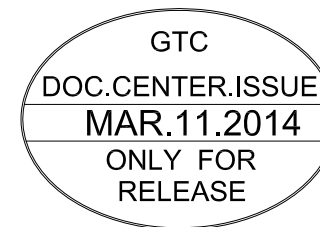
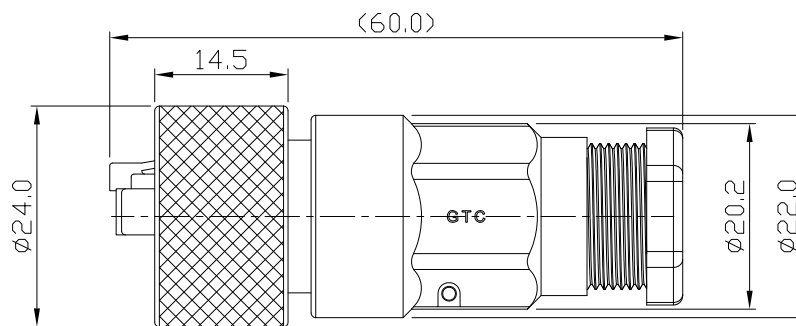
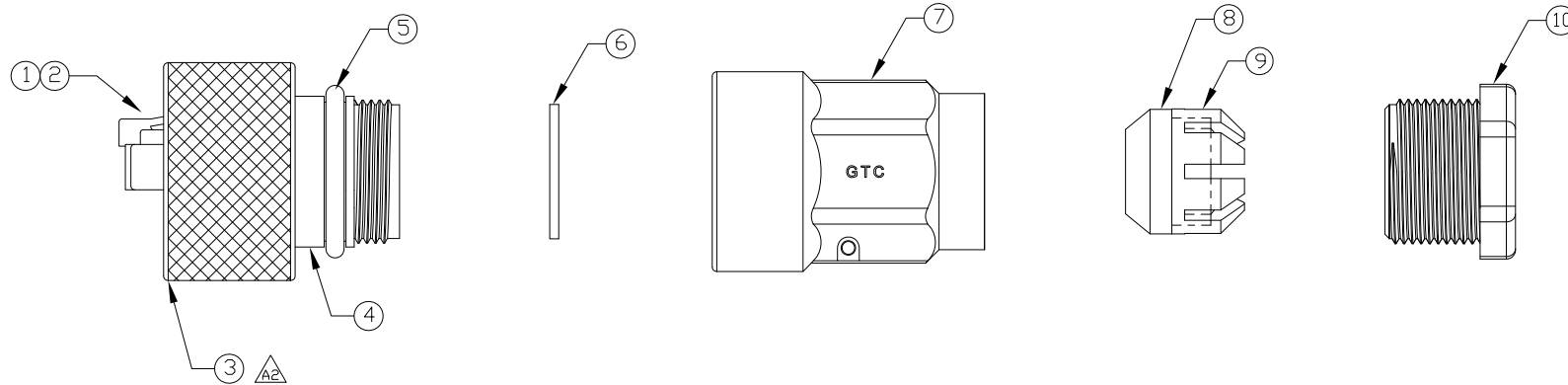
3

4

### Notes: (Unless Otherwise Specified)

1. Waterproof Rate: IP68.
2. Suitable Cable  $\varnothing$ =4.0mm To 6.0 mm.
3. Recommend Cover Torque: 6~7 Kgf-cm.
4. Recommend Gland Nut Torque: 9~10 Kgf-cm.
5. RoHS Compliant.

REV	ECN#	DESCRIPTION OF REVISION	DRAW BY DATE	CHECK BY DATE	APPROVE BY DATE
A1	ECN-120615	Modify Drawing	Joyce 06/26/12	Lucas 06/26/12	Ray 06/26/12
A2	ECN-140305	Marked	Joyce 03/11/14	Lucas 03/11/14	Ray 03/11/14



Item	Part Name	Material / Finish	Q'ty
10	Gland Nut	Thermoplastic Color: Black	1
9	Cage	Thermoplastic Color: White	1
8	Gland	Silicone Color: Green	1
7	Cover	Thermoplastic Color: Black	1
6	Gasket	Silicone Color: Black	1
5	O-Ring	Silicone Color: Red	1
4	Housing	Thermoplastic Color: Black	1
3	Screw Nut	Copper Alloy Finish: Ni Plated	1
2	Rubber Pad	Silicone Color: Black	1
1	RJ45 Plug	Housing: Thermoplastic, Color: Clean Contacts: Copper Alloy, Finish: Au Plated Shell: Cold Roll Steel, Finish: Ni Plated	1

TITLE						DRAWING NUMBER			REV.	
RJ45 Metal C3 Shielded Field Installable Cable End Plug Screw						RR-225330-00			A2	
	B	N/A	David 06/03/10	Ray 06/03/10	Ray 06/03/10	X.X ± 0.5	X.XXX ± 0.05	mm	1/1	
THIRD ANGLE PROJECTION	SIZE	SCALE	DRAW / DATE	CHECK / DATE	APPROVE / DATE	TOLERANCES		UNIT	SHEET	

THE INFORMATION CONTAINED HEREIN IS THE PROPRIETARY INFORMATION OF RR BUSINESS VENTURES, LLC. THE POSSESSOR AGREES TO THE FOLLOWING

1. MAINTAIN THIS DOCUMENT IN CONFIDENCE
2. NOT TO REPRODUCE OR COPY IT
3. NOT TO REVEAL OR PUBLISH IT IN WHOLE OR IN PART

COPYRIGHT © 2019

1

2

3

4