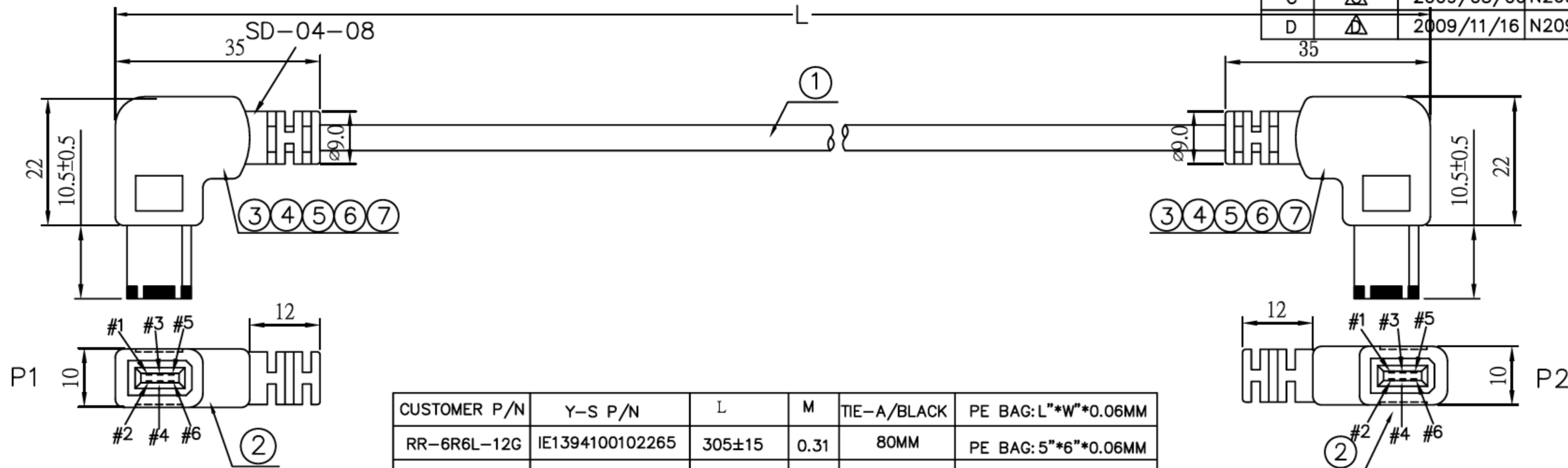
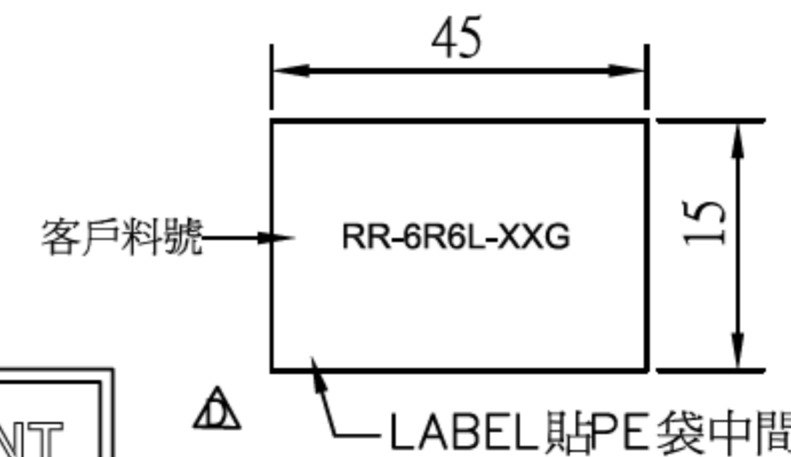


REV	DESC	DATE	ECN NO
C	△	2009/05/06	N20905025
D	△	2009/11/16	N20911164



CUSTOMER P/N	Y-S P/N	L	M	TIE-A/BLACK	PE BAG: L*W*0.06MM
RR-6R6L-12G	IE1394100102265	305±15	0.31	80MM	PE BAG: 5"*6"*0.06MM
RR-6R6L-18G	IE1394100202265	457±20	0.46	80MM	PE BAG: 5"*6"*0.06MM
RR-6R6L-24G	IE1394100302265	610±20	0.62	80MM	PE BAG: 5"*6"*0.06MM

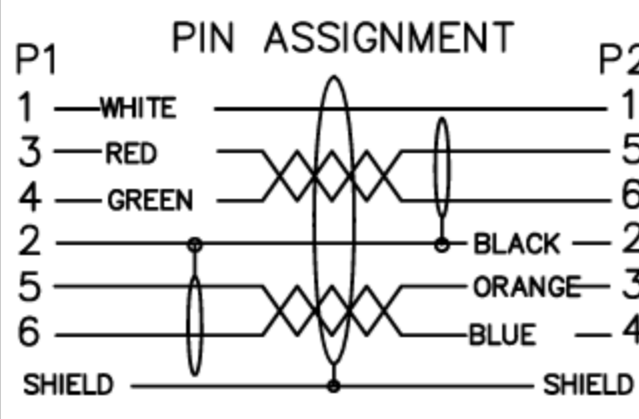


RoHS COMPLIANT

*	390	LABEL: "RR-6R6L-XXG" 45*15MM	△	1	PCS
*	390	CARTON: 46*30*25CM		A/R	PCS
*	390	PE BAG: 30"*28"*0.08MM		A/R	PCS
*	390	TIE-A/BLACK		***	MM
*	390	PE BAG: L"*W"*0.06MM		1	PCS
7	370	HI TEAMP TAPE: W: 8MM		40*4	MM
6	370	HI-TEAMP-TAPE: W: 6MM		35*2	MM
5	210	TUBE-HT-φ1.5MM		12.0*2	MM
4	370	FOIL-AL-22MM	△	40*2	MM
3	370	PVC-BLACK10/80		14.0	G
2	110111006023	IE1394-6P<BK><成型式> (一件式) <鐵殼鍍金>		2	SET
1	130806110004	30/22-(1P+A+B)*2/2C+MYLAR+A+B -BK10-5.5U20276 <聯穎或同級品>		L	M
NO	PART NO.	DESCRIPTION		QTY	UNIT

INNER MOLDING	IEE1394-056KF	IEEE13941-002KF
OUTER MOLDING	IEE1394-057KF	IEEE13941-003KF

www.USBFireWire.com



	ITEM: IE1394100XX2265	REV D	
	DRAWN, BY: 劉坤	SCALE: NONE	DATE: 2009-04-08
	CHECKED, BY:	CUSTOMER: C331 <陸鴻>	PAGE: 1/1
APP'ED, BY:	CUSTOMER P/N:		
ALL DIMENSIONS IN mm			