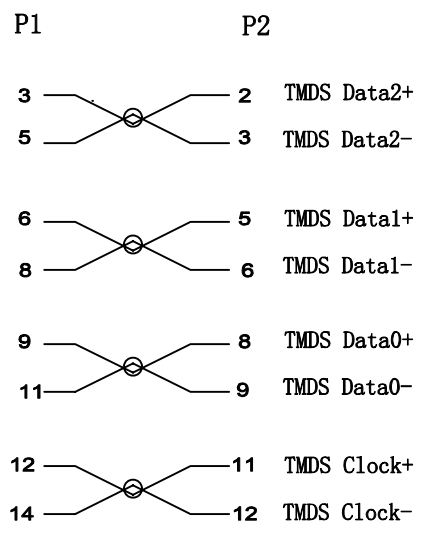


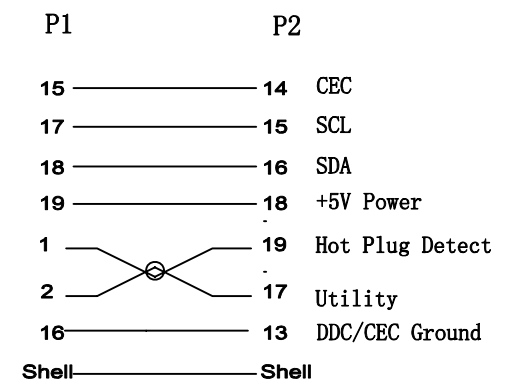
ROHS Compliant

**ELECTRICAL CHARACTER:**  
 a. 100% OPEN & SHORT TESTING;  
 b. WITHSTANDING VOLTAGE:DC 300V 0.01Sec;  
 c. INSULATION RESISTANCE:5M Ohm (Min) ;  
 d. CONDUCTIVE RESISTANCE:3 Ohm (Max)

**PIN ASSIGNMENT**



**PIN ASSIGNMENT**



					<a href="http://www.USBFireWire.com">www.USBFireWire.com</a>							
4	65P Black PVC				Tolerance, Unless Otherwise Specified	DRAW:		TITLE	HDMI CM TO DM			
3	HDMI CM,BLACK INSULATION,SHELL 3U" GOLD PLATED WITH SOLDER(P/N YQT-HCM3)					UP TO 5	±0.2	CHECKED:		PART NO.	RR-7L-5S-XXGX	
2	HDMI DM,BLACK INSULATION,SHELL 3U" GOLD PLATED WITH SOLDER(P/N YQT-HDM3)					ABOVE 5 --30	±0.3	APPROVED:		DRAW NO.		
1	(1P*30AWG+AL)*5C+5C*30AWG+AL+D+B OD4.5 L=12in/24in/6ft Black					ABOVE 30--50	±0.4					
				ABOVE 50	±0.5	DATE		SCALE	1:1	UNIT	mm	
NO	Descriptron	Q' TY	Unit	ANGLE	±3°							