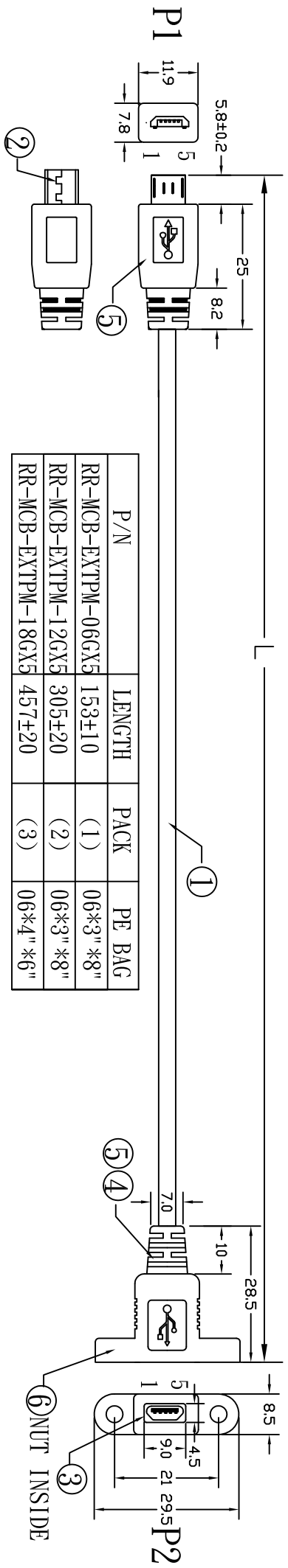


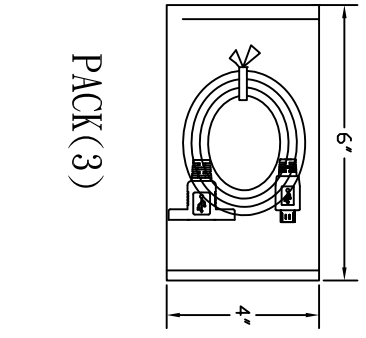
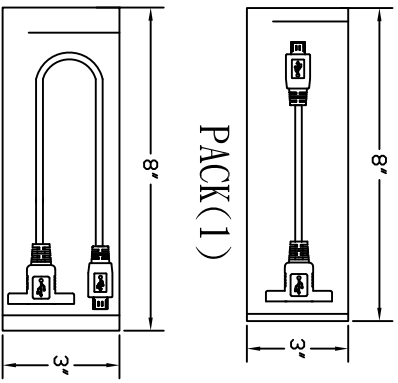
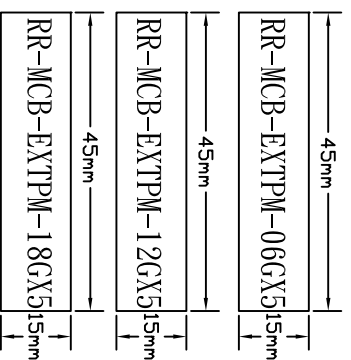
CHANGE VERSION	REMARKS	C	15/07/31	CHANGE PACKAGE
A	14/03/20 REL	D		
B	14/04/14 CFM P/N, PIN OUT, WIRE	E		



P/N	LENGTH	PACK	PE BAG
RR-MCB-EXTPM-06GX5	153±10	(1)	06*3"*8"
RR-MCB-EXTPM-12GX5	305±20	(2)	06*3"*8"
RR-MCB-EXTPM-18GX5	457±20	(3)	06*4"*6"

PIN OUT :

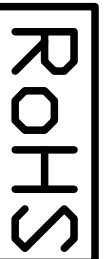
- P1 P2
- 1 1 RD
- 2 2 WH
- 3 3 GN
- 4 4 BK
- 5 5 YL
- S S DRAIN



MATERIAL LIST :

NO.	P/NAME	DESCRIPTION	Q' TY
1	WIRE	UI2725 30AWG(7/0.10 TC)*1P+30AWG(7/0.10 TC)*3C+AL+B(16*3/0.10 TC) OD:3.0±0.15 BLACK(B792) (COPARTNER)	1
2	PLUG	MICRO USB"B"TYPE 5P MALE GOLD PLATED SHORT TYPE	1
3	PLUG	MICRO USB"B"TYPE 5P FEMALE GOLD PLATED	1
4	PVC	LD PE	1.5g
5	PVC	45P BLACK(B792)PVC	15g
6	NUT	#4-40 NUT	2
7	SCREW	#4-40 5.3*10mm + TYPE	2
8	PACKAGE	IPCE/PE BAG:06*A*B + P/N STICKER (2PCS 5.3*10mm+ TYPE SCREW, IN 2.5*5CM PE BAG)	

MOLD TOOL NO.		MATERIAL LIST	
MICRO USB M A110-591-001		MICRO USB EXTPM NEW TOOLING	
FILE NAME	CUSTOMER	SCALE	UNIT
OW1403028			MM
DATE	CUSTOMER P/N	CHECKED BY	APPROVED BY
15/07/31		Marcos	



THE INFORMATION CONTAINED HEREIN IS THE PROPRIETARY INFORMATION OF RR BUSINESS VENTURES, LLC. THE POSSESSOR AGREES TO MAINTAIN THIS DOCUMENT IN CONFIDENCE; NOT REPRODUCE IT OR COPY IT; AND NOT TO REVEAL OR PUBLISH IT IN WHOLE OR PART. COPYRIGHT © 2019

