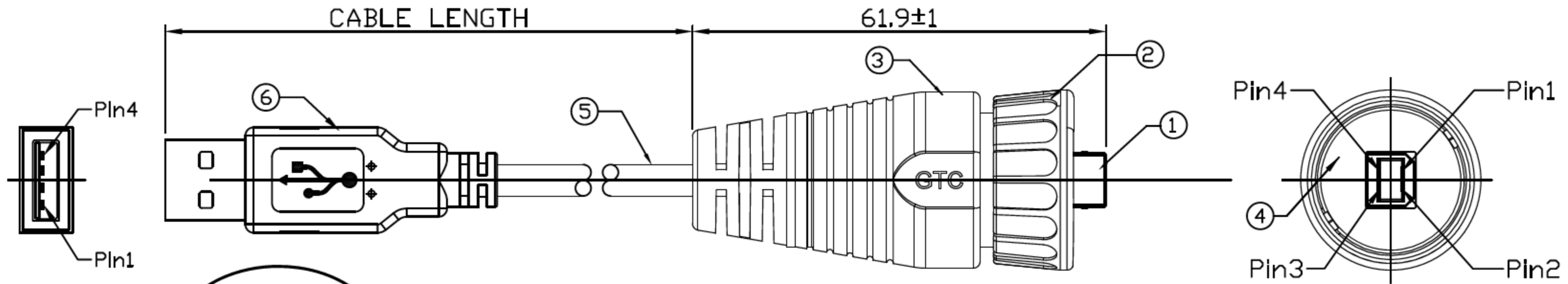


REV	ECNO	DESCRIPTION OF REVISION	
A0		MASS PRODUCTION	09/02/09



DOC.CENTER.ISSUE
SEP.02.2009
ONLY FOR
RELEASE

- NOTES: (UNLESS OTHERWISE SPECIFIED)**
- MATCHING MATES: GT112200-XX
GT112200-XX-XX
 - CABLE LENGTH TOLERANCE:
0 to 1M± 40 mm
1 to 10M± 5% mm
OVER 10 M± 500 mm
 - PART NO: GT112220-05-XX
 - RoHS Compliance.

- CABLE LENGTH**
- 01: 1 M
 - 02: 2 M
 - 99: 99 M
 - A0: 100 M

ITEM	MATERIAL
1	HOUSING: THERMAL PLASTIC UL94 V-0 COLOR: BLACK CONTACTS: COPPER ALLOY FINISH: GOLD
2	THERMAL PLASTIC UL94 V-0 COLOR: BLACK
3	PVC COLOR: BLACK
4	SILICONE COLOR: BLACK
5	PVC COLOR: BLACK
6	HOUSING: THERMAL PLASTIC UL94 V-0 COLOR: BLACK CONTACTS: COPPER ALLOY FINISH: GOLD

1	RED
2	WHITE
3	GREEN
4	BLACK
SHIELD	DRAIN

WIRING DIAGRAM

METRIC		www.USBFireWire.com	
DRAPPER KAREN	DATE 09/02/09	NOTICE OF PROPRIETARY PROPERTY THE INFORMATION CONTAINED HEREIN IS THE PROPRIETARY PROPERTY OF GT CONTACT COLTD. THE PSESSOR AGREES TO THE FOLLOWING: (1) TO MAINTAIN THIS DOCUMENT IN CONFIDENCE (2) NOT TO REPRODUCE OR COPY IT (3) NOT TO REVEAL OR PUBLISH IT IN WHOLE OR PART (4) ALL RIGHTS RESERVED	
APPROVED RAY	DATE 09/02/09		
DIMENSIONS ARE IN MILLIMETER TOLERANCES XX ±0.5 X.XX ±0.20 X.XXX ±0.05 ANGLES ±0.5° DO NOT SCALE DRAWINGS		TITLE PLASTIC USB-B CABLE END CONNECTOR + STANDARD CABLE+OVER MOLDED STANDARD(NON-WATERPROOF)USB-A PLUG	
THIRD ANGLE PROJECTION 		DRAWING NUMBER RR-112220-05-XX	REV. A0
SIZE B		SCALE 1:1	SHT 1 OF 1