

1

2

3

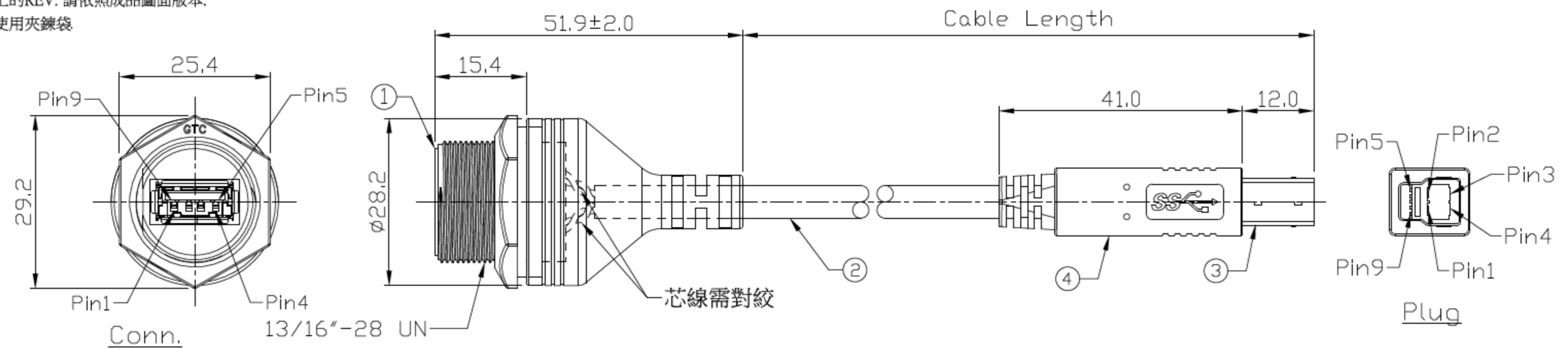
4

- Notes: (Unless Otherwise Specified)
1. Waterproof Rate: IP68.
 2. Recommend Panel Thickness: 0.8 to 6.0 mm.
 3. Recommend Torque: 14~15 Kgf-cm.
 4. Mating Cap P/N: GT1C5331X2.
 5. RoHS & REACH Compliant.
 6. 產品採用無Logo PE袋單PCS包裝,並將標籤貼於袋外
 7. 每25PCS產品再用防水袋包裝,並將標籤貼於袋外
 8. 標籤上的REV: 請依照成品圖面版本.
 9. 不可使用夾鍊袋

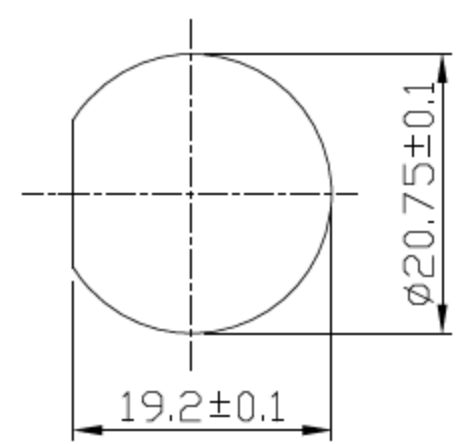
RR-118310-09-XX_REV:XX_QTY:1PCS
LOT: XXXX
Made in China

RR-118310-09-XX_REV:XX_QTY:25PCS
LOT: XXXX
Made in China

REV	ECN#	DESCRIPTION OF REVISION	DRAW BY DATE	CHECK BY DATE	APPROVE BY DATE
A0		Mass Production	Joyce 03/15/17	Lucas 03/15/17	Ray 03/15/17



Item	Part Name	Material / Finish	Q'ty
4	Over Mold	PVC Color: Black	1
3	USB-B 3.0 Plug	Housing: Thermoplastic, Color: Blue Contacts: Copper Alloy, Finish: Au Plated Shell: SPCC, Finish: Ni Plated	1
2	Cable	UL2725 (1P*28AWGEAM)*2+(1PR*28AWG+A)+2C*22AWG+AB 85% Color: Black, OD=5.5mm	1
1	USB-A 3.0 C3 Panel Jack	GT Contact P/N: GT118310-01-XX	1



Recommend Panel Cut-Out

Conn.	Color	Plug
1	Red	1
2	White	2
3	Green	3
4	Black	4
5	Blue	5
6	Yellow	6
7	Drain	7
8	Purple	8
9	Orange	9
Shell	Braid	Shell

Wiring Diagram

Part No.	Cable Length	Tol.
RR-118310-09-78	1981.2 mm	+100
RR-118310-09-39	990.6 mm	+50
RR-118310-09-20	508 mm	+50

TITLE						DRAWING NUMBER			REV.
USB-A 3.0 Plastic C3 Panel Jack Screw With USB-B 3.0 Plug Cross Wire						RR-118310-09-XX			A0
DO NOT SCALE DRAWINGS	B	N/A	Joyce 03/15/17	Lucas 03/15/17	Ray 03/15/17	X.X ± 0.5 X.XX ± 0.2	X,XXX ± 0.05 ANGLES ± 1°	mm	1/1
THIRD ANGLE PROJECTION	SIZE	SCALE	DRAW / DATE	CHECK / DATE	APPROVE / DATE	TOLERANCES		UNIT	SHEET

THE INFORMATION CONTAINED HEREIN IS THE PROPRIETARY INFORMATION OF RR BUSINESS VENTURES, LLC. THE POSSESSOR AGREES TO THE FOLLOWING:

1. MAINTAIN THIS DOCUMENT IN CONFIDENCE
2. NOT TO REPRODUCE OR COPY IT
3. NOT TO REVEAL OR PUBLISH IT IN WHOLE OR IN PART

COPYRIGHT © 2019

1

2

3

4