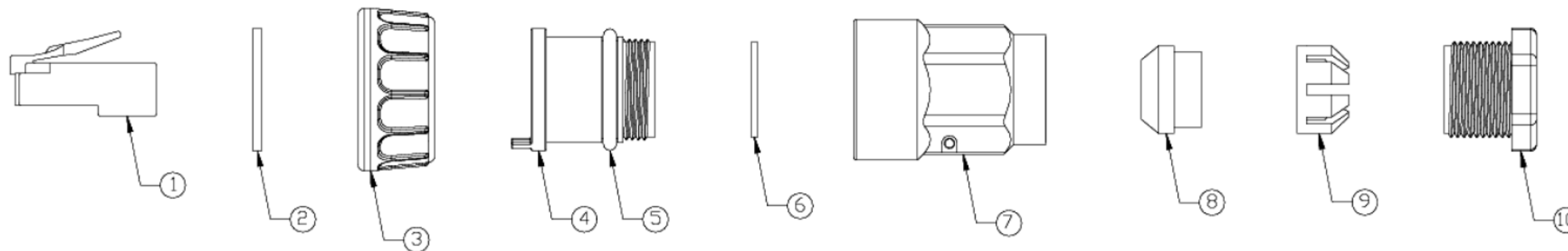


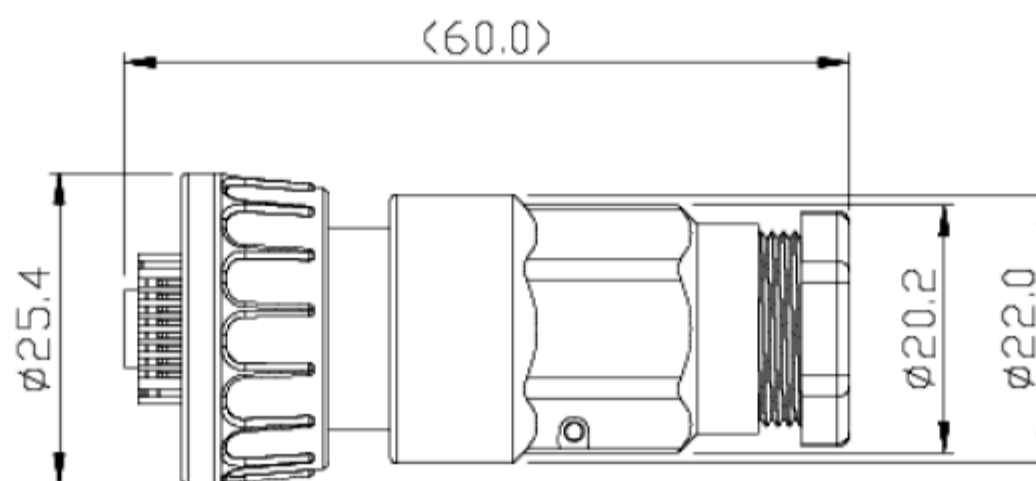
Notes: (Unless Otherwise Specified)

1. Waterproof Rate: IP67.
2. Cable Diameter: 5.0 to 7.0 mm
3. Recommend Cover Torque: 6.0 to 7.0 Kgf-cm.
4. Recommend Gland Nut Torque: 9.0 to 10.0 Kgf-cm.
5. RoHS Compliance.

REV	ECN#	DESCRIPTION OF REVISION	DRAW BY DATE	CHECK BY DATE	APPROVE BY DATE
A0		Mass Production	Edwin 03/15/10	Ray 03/15/10	Ray 03/15/10
A1		Redraw	Vicky 05/20/11	Lucas 05/20/11	Ray 05/20/11



10	Gland Nut	Thermal Plastic Color: Black	1
9	Cage	Thermal Plastic Color: White	1
8	Gland	Silicone Color: Green	1
7	Cover	Thermal Plastic Color: Black	1
6	Gasket	Silicone Color: Black	1
5	O-Ring	Silicone Color: Red	1
4	Housing	Thermal Plastic Color: Black	1
3	Screw Nut	Thermal Plastic Color: Black	1
2	Rubber Pad	Silicone Color: Black	1
1	RJ45 Plug	Housing: Thermal Plastic, Color: Clean Contacts: Copper Alloy, Finish: Au Plated Shell: Copper Alloy, Finish: Ni Plated	1
Item	Part Name	Material / Finish	Q'ty



DOC.CENTER.ISSUE
MAY.20.2011
ONLY FOR
RELEASE

TITLE				DRAWING NUMBFR				REV.	
RJ45 C3 Plastic Shielded Field Installable Cable End Plug Screw				RR-125330-00				A1	
THIRD ANGLE PROJECTION	SIZE	SCALE	DRAW / DATE	CHECK / DATE	APPROVE / DATE	TOLERANCES	UNIT	SHEET	
	B	1:1	Edwin 03/15/10	Ray 03/15/10	Ray 03/15/10	X.X ± 0.5 X.XX ± 0.2	mm	1/1	
						X.XXX ± 0.05 ANGLES ± 1°			


USB FIREWIRE.com

THE INFORMATION CONTAINED HEREIN IS THE PROPRIETARY INFORMATION OF RR BUSINESS VENTURES, LLC. THE POSSESSOR AGREES TO THE FOLLOWING:
 1. MAINTAIN THIS DOCUMENT IN CONFIDENCE
 2. NOT TO REPRODUCE OR COPY IT
 3. NOT TO REVEAL OR PUBLISH IT IN WHOLE OR IN PART

COPYRIGHT © 2019