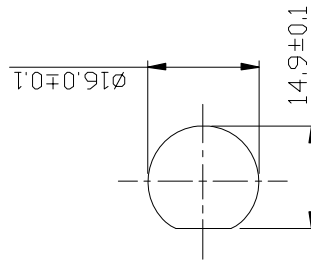
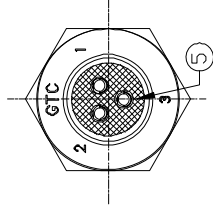
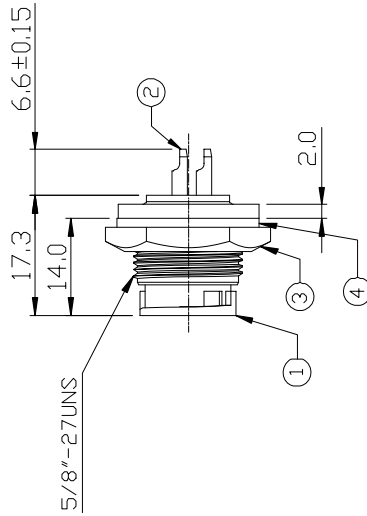
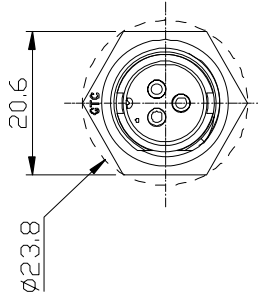


1 | 2 | 3 | 4

Notes: (Unless Otherwise Specified)

1. Waterproof Rate: IP67.
2. Recommend Panel Thickness: 0.8 to 4.0 mm.
3. Recommend Torque: 6.0~7.0 Kgf-cm.
4. Mating Cap P/N: RR-1C522122
5. RoHS Compliant.



Recommend
Panel Cut-Out

Item	Part Name	Material/Finish	Qty
5	Glue	Epoxy Color: Black	
4	Gasket	Silicone Color: Black	1
3	Hex Nut	Thermoplastic Color: Black	1
2	Contacts	Copper Alloy Finish: Au Plated	3
1	Housing	Thermoplastic Color: Black	1

TITLE C2 10A 3P Panel Male Solder Lock

DRAWING NUMBER RR-152210-03030

REV. A0

THIRD ANGLE PROJECTION	SCALE	SIZE	DRAW / DATE	CHECK / DATE	APPROVE / DATE	UNIT	SHEET
	B	1:1	Joyce 08/06/12	Lucas 08/06/12	Roy 08/06/12	mm	1/1
						TOLERANCES	
						ANGLES ± 1°	
						± 0.5	
						X.XXX ± 0.05	

1 | 2 | 3 | 4

REV	ECN#	DESCRIPTION OF REVISION	DRAW BY DATE	CHECK BY DATE	APPROVE BY DATE
A0		Mass Production	Joyce 08/06/12	Lucas 08/06/12	Roy 08/06/12

GTC
DOC.CENTER.ISSUE
AUG.06.2012
ONLY FOR
RELEASE

www.USBFireWire.com

NOTICE OF PROPRIETARY PROPERTY:
THE INFORMATION CONTAINED HEREIN IS THE PROPRIETARY PROPERTY OF USBFIREWIRE.COM. THE POSSESSOR AGREES TO THE FOLLOWING:
(a) NO DISSEMINATION IN CONFIDENCE
(b) NO REPRODUCTION OR COPY IN ANY MANNER
(c) NOT TO REVEAL OR PUBLISH IT IN WHOLE OR PART
(d) ALL RIGHTS RESERVED