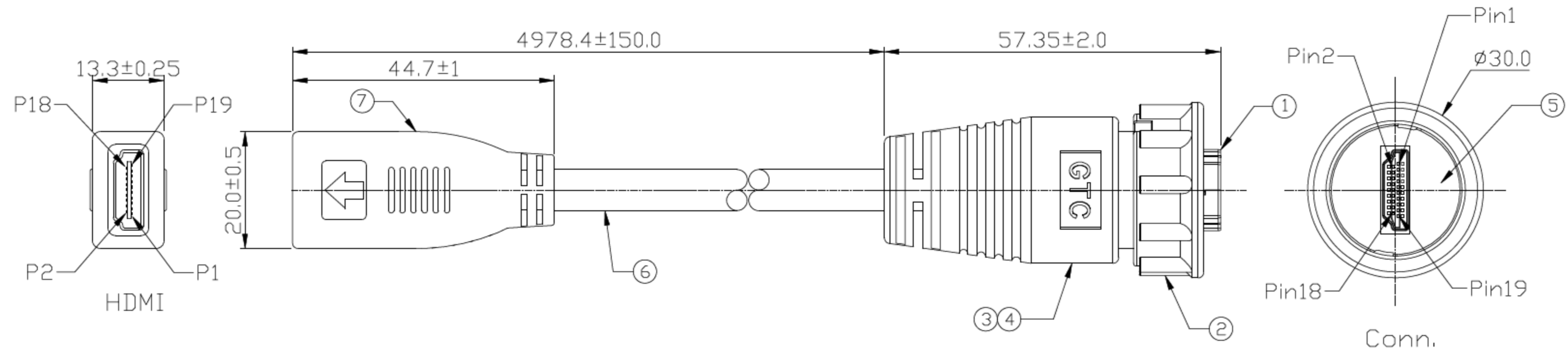


Notes: (Unless Otherwise Specified)
 1. Waterproof Rate: IP67.
 2. RoHS Compliant.

REV	ECN#	DESCRIPTION OF REVISION	DRAW BY DATE	CHECK BY DATE	APPROVE BY DATE
01			Joyce 10/14/15	Lucas 10/14/15	Ray 10/14/15



7	HDMI Female	HDMI 19P Female IDC Type Color: Black	1
6	Cable	UL20276 [(28#/1PR+EAM)*4+(1PR/28#+EAM)+28#/4C]+AB85% Color: Black, ØD=6.8mm	1
5	Rubber Pad	Silicone Color: Black	1
4	Over Mold	PVC Color: Black	1
3	Inner Mold	Thermoplastic Color: Black	1
2	Lock Nut	Thermoplastic Color: Black	1
1	HDMI Plug	Housing: Thermoplastic, Color: Black Contacts: Copper Alloy, Finish: Au Plated Shell: Copper Alloy, Finish: Au Plated	1
Item	Part Name	Silicone Material / Finish	Q'ty

HDMI				Conn.			
1	Brown	1	10	Blue	10		
2	Drain	2	11	Drain	11		
3	White	3	12	White	12		
4	Red	4	13	Black	13		
5	Drain	5	14	Red	14		
6	White	6	15	Orange	15		
7	Green	7	16	Yellow	16		
8	Drain	8	17	Drain	17		
9	White	9	18	Purple	18		
			19	White	19		
			Shell	Drain+Braid	Shell		

Wiring Diagram

R&D DEPT. ISSUE
 OCT.15.2015
 ONLY FOR
 RELEASE

www.USBFireWire.com

TITLE			DRAWING NUMBER			REV.
HDMI C4 Plastic Cable End Plug Lock With HDMI Receptacle			RR-1H1220-01-196			01
THIRD ANGLE PROJECTION	SIZE	SCALE	DRAW / DATE	CHECK / DATE	APPROVE / DATE	SHEET
	B	1:1	Joyce 10/14/15	Lucas 10/14/15	Ray 10/14/15	1/1
TOLERANCES			UNIT			
X.X ± 0.5 X.XX ± 0.2			X.XXX ± 0.05 ANGLES ± 1°			mm

NOTICE OF PROPRIETARY PROPERTY:
 THE INFORMATION CONTAINED HEREIN IS THE PROPRIETARY PROPERTY OF USBFIREWIRE.COM THE POSSESSOR AGREES TO THE FOLLOWING:
 (1) TO MAINTAIN THIS DOCUMENT IN CONFIDENCE
 (2) NOT TO REPRODUCE OR COPY IT
 (3) NOT TO REVEAL OR PUBLISH IT IN WHOLE OR PART
 (4) ALL RIGHTS RESERVED