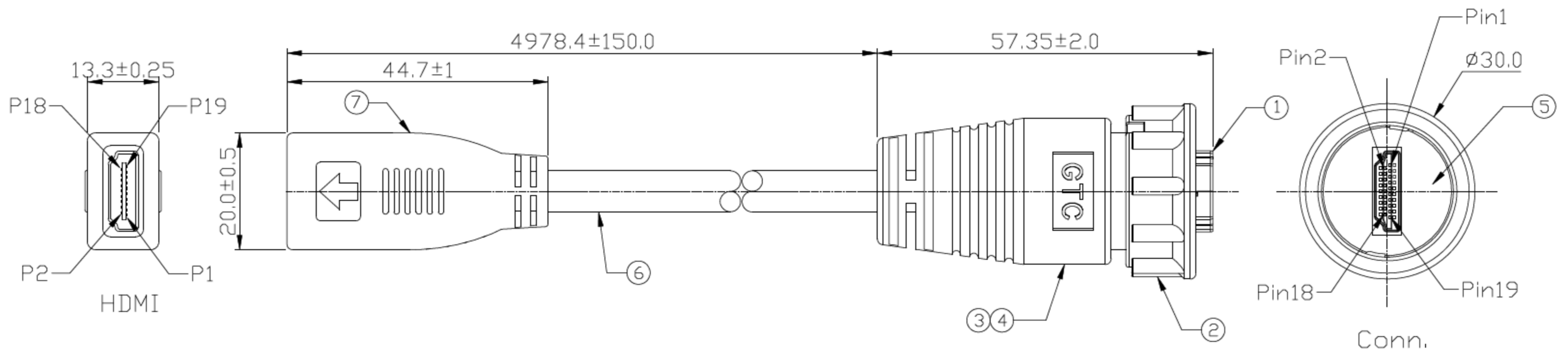


Notes: (Unless Otherwise Specified)  
 1. Waterproof Rate: IP67.  
 2. RoHS Compliant.

REV	ECN#	DESCRIPTION OF REVISION	DRAW BY DATE	CHECK BY DATE	APPROVE BY DATE
01			Joyce 10/14/15	Lucas 10/14/15	Ray 10/14/15



7	HDMI Female	HDMI 19P Female IDC Type Color: Black	1
6	Cable	UL20276 [(28#/1PR+EAM)*4+(1PR/28#+EAM)+28#/4C]+AB85% Color: Black, OD=6.8mm	1
5	Rubber Pad	Silicone Color: Black	1
4	Over Mold	PVC Color: Black	1
3	Inner Mold	Thermoplastic Color: Black	1
2	Lock Nut	Thermoplastic Color: Black	1
1	HDMI Plug	Housing: Thermoplastic, Color: Black Contacts: Copper Alloy, Finish: Au Plated Shell: Copper Alloy, Finish: Au Plated	1
Item	Part Name	Silicone Material / Finish	Q'ty

HDMI				Conn.			
1	Brown	1	10	Blue	10		
2	Drain	2	11	Drain	11		
3	White	3	12	White	12		
4	Red	4	13	Black	13		
5	Drain	5	14	Red	14		
6	White	6	15	Orange	15		
7	Green	7	16	Yellow	16		
8	Drain	8	17	Drain	17		
9	White	9	18	Purple	18		
			19	White	19		
			Shell	Drain+Braid	Shell		

Wiring Diagram

R&D DEPT. ISSUE  
 OCT.15.2015  
 ONLY FOR  
 RELEASE

TITLE				DRAWING NUMBER			REV.		
HDMI C4 Plastic Cable End Plug Lock With HDMI Receptacle				RR-1H1220-01-196			01		
DD NOT SCALE DRAWINGS	B	1:1	Joyce 10/14/15	Lucas 10/14/15	Ray 10/14/15	X.X ± 0.5 X.XX ± 0.2	X.XXX ± 0.05 ANGLES ± 1°	mm	1/1
THIRD ANGLE PROJECTION	SIZE	SCALE	DRAW / DATE	CHECK / DATE	APPROVE / DATE	TOLERANCES		UNIT	SHEET

  
**USB FIREWIRE.com**

THE INFORMATION CONTAINED HEREIN IS THE PROPRIETARY INFORMATION OF RR BUSINESS VENTURES, LLC. THE POSSESSOR AGREES TO THE FOLLOWING:

1. MAINTAIN THIS DOCUMENT IN CONFIDENCE
2. NOT TO REPRODUCE OR COPY IT
3. NOT TO REVEAL OR PUBLISH IT IN WHOLE OR IN PART

COPYRIGHT © 2019