

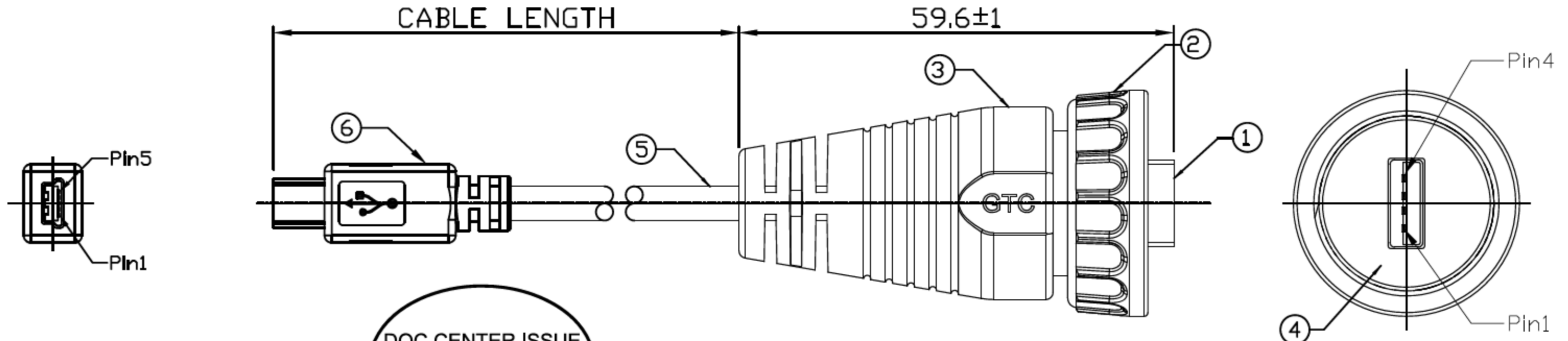
NOTES: (UNLESS OTHERWISE SPECIFIED)

- MATCHING MATES: RR-211300-XX
RR-211300-XX-XX
- CABLE LENGTH TOLERANCE:
0 to 1M ± 40 mm
1 to 10M ± 5% mm
OVER 10 M ± 500 mm
- RoHS Compliance.

4. PART NO: RR-211320-07-XX

CABLE LENGTH
01: 1 M
02: 2 M
99: 99 M
A0: 100 M

REV	ECN#	DESCRIPTION OF REVISION	DATE
A0		MASS PRODUCTION	09/02/09



DOC.CENTER.ISSUE
SEP.02.2009
ONLY FOR
RELEASE

ITEM	MATERIAL
1	HOUSING: THERMAL PLASTIC UL94 V-0 COLOR: BLACK CONTACTS: COPPER ALLOY FINISH: GOLD
2	ZN ALLOY FINISH: NICKEL
3	PVC COLOR: BLACK
4	SILICONE COLOR: BLACK
5	PVC COLOR: BLACK
6	HOUSING: THERMAL PLASTIC UL94 V-0 COLOR: BLACK CONTACTS: COPPER ALLOY FINISH: GOLD

Shield	Drain	Shield
5	Black	4
3	Green	3
2	White	2
1	Red	1
MINI USB-B	WIRE COLOR	USB-A

WIRING DIAGRAM

METRIC		www.USBFireWire.com	
DRAFFER KAREN	DATE 09/02/09	NOTICE OF PROPRIETARY PROPERTY: THE INFORMATION CONTAINED HEREIN IS THE PROPRIETARY PROPERTY OF GT CONTACT COLTD. THE POSSESSOR AGREES TO THE FOLLOWING: (1) TO MAINTAIN THIS DOCUMENT IN CONFIDENCE (2) NOT TO REPRODUCE OR COPY IT (3) NOT TO REVEAL OR PUBLISH IT IN WHOLE OR PART (4) ALL RIGHTS RESERVED	
APPROVED RAY	DATE 09/02/09		
DIMENSIONS ARE IN MILLIMETER TOLERANCES XX ±0.5 X.XX ±0.20 X.XXX ±0.05 ANGLES ±0.5° DO NOT SCALE DRAWINGS		TITLE Zn ALLOY USB-A CABLE END CONNECTOR + STANDARD CABLE+OVER MOLDED STANDARD(NON-WATERPROOF) MINI USB-B PLUG	
THIRD ANGLE PROJECTION		DRAWING NUMBER RR-211320-07-XX	REV. A0
SIZE B		SCALE 1:1	SHT 1 OF 1