

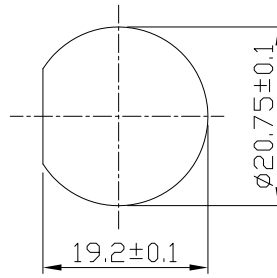
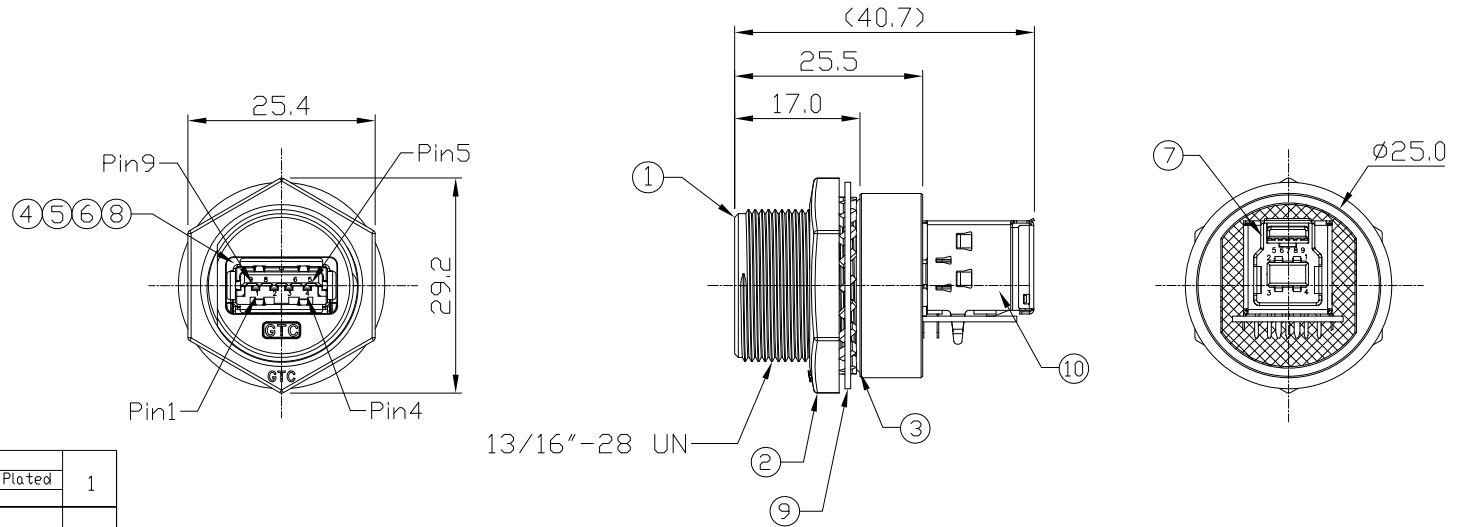
Notes: (Unless Otherwise Specified)

1. Waterproof Rate: IP67.
2. Recommend Panel Thickness: 0.8 to 6.0 mm.
3. Recommend Torque: 19~20 Kgf-cm.
4. Mating Cap P/N: GT2C2130X2/GT1C5331X2.
5. RoHS Compliant.
6. 產品採用USB 10PCS吸塑盒包裝,並於吸塑盒上蓋貼上標籤

RR-218300-40_REV:XX_QTY:10PCS
LOT: XXXX
Made in China

7. 標籤上的REV: 請依照成品圖面版本

REV	ECN#	DESCRIPTION OF REVISION	DRAW BY DATE	CHECK BY DATE	APPROVE BY DATE
01			Karen 12/04/15	Lucas 12/04/15	Ray 12/04/15



Recommend
Panel Cut-Out

GTC
 R&D DEPT. ISSUE
DEC.07.2015
 ONLY FOR
 RELEASE

10	USB-B 3.0 Receptacle	Housing: Thermoplastic, Color: Blue Contacts: Copper Alloy, Finish: Au Plated Shell: Stainless, Finish: Non	1
9	Metal Washer	SUS	1
8	EMI Shielded Plate	Copper Finish: Ni Plated	1
7	Glue	Epoxy Color: Black	
6	PCB	FR-4 Color: Green	1
5	Hold	Silicone Color: Black	1
4	USB-A 3.0 Receptacle	Housing: Thermoplastic, Color: Blue Contacts: Copper Alloy, Finish: Au Plated Shell: Stainless, Finish: Non	1
3	O-Ring	Silicone Color: Red	1
2	Hex Nut	Zn Alloy Finish: Ni Plated	1
1	Housing	Zn Alloy Finish: Ni Plated	1
Item	Part Name	Material / Finish	Q'ty

TITLE						DRAWING NUMBER			REV.
USB-A 3.0 Metal C3 Panel Jack Screw With USB-B 3.0 Coupler						RR-218300-40			01
THIRD ANGLE PROJECTION	SIZE	SCALE	DRAW / DATE	CHECK / DATE	APPROVE / DATE	TOLERANCES	UNIT	SHEET	
	B	1:1	Karen 12/04/15	Lucas 12/04/15	Ray 12/04/15	X.X ± 0.5 X.XX ± 0.2	mm	1/1	
						X.XXX ± 0.05 ANGLES ± 1°			

THE INFORMATION CONTAINED HEREIN IS THE PROPRIETARY INFORMATION OF RR BUSINESS VENTURES, LLC. THE POSSESSOR AGREES TO THE FOLLOWING

1. MAINTAIN THIS DOCUMENT IN CONFIDENCE
2. NOT TO REPRODUCE OR COPY IT
3. NOT TO REVEAL OR PUBLISH IT IN WHOLE OR IN PART

COPYRIGHT © 2019