

1

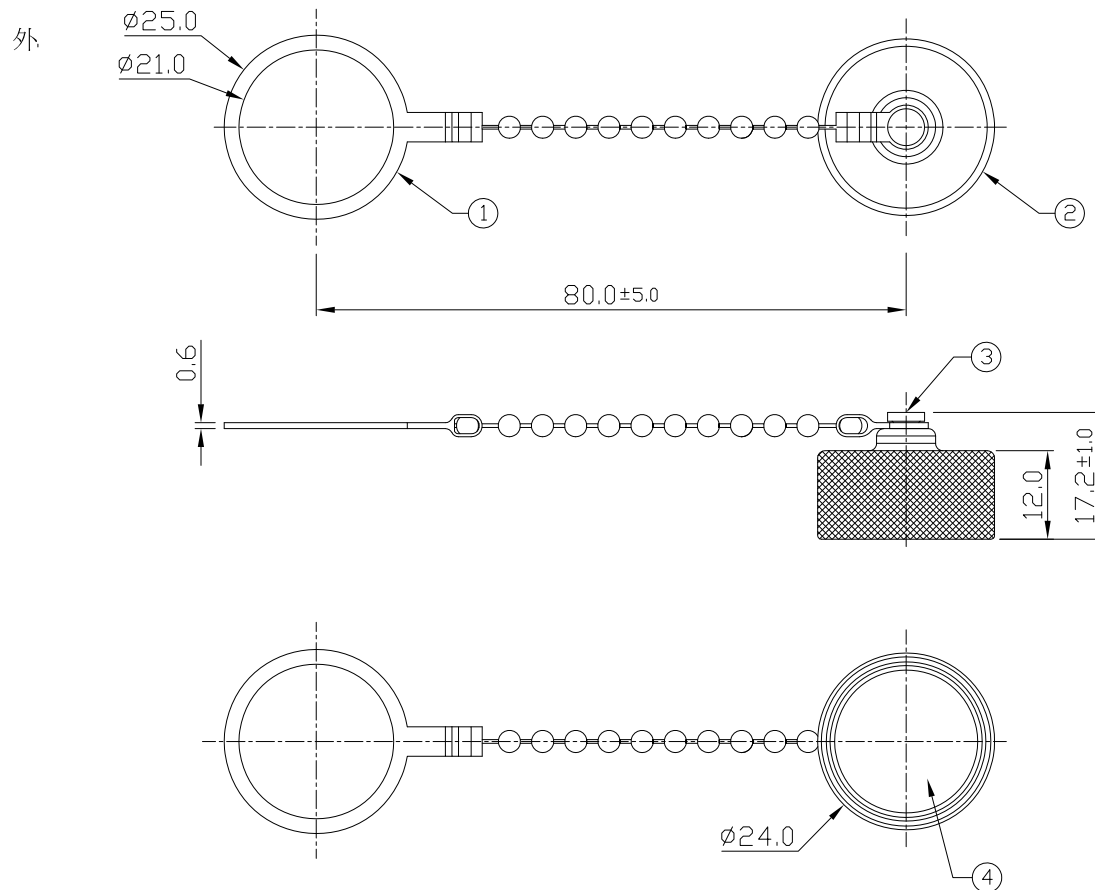
2

3

4

Notes: (Unless Otherwise Specified)  
 1. Waterproof Rate: IP68.  
 2. RoHS Compliant.

REV	ECN#	DESCRIPTION OF REVISION	DRAW BY DATE	CHECK BY DATE	APPROVE BY DATE
A0		Mass Production	Joyce 05/24/12	Lucas 05/24/12	Ray 05/24/12
A1	ECN-121109	Modify Label Type & Packing Q'ty <span style="border: 1px solid black; padding: 2px;">A1</span>	Joyce 11/21/12	Lucas 11/21/12	Ray 11/21/12



DOC.CENTER.ISSUE  
 DEC.03.2012  
 ONLY FOR  
 RELEASE

4	Rubber Pad	Silicone Color: Black	1
3	Metal Rivet	Copper Alloy Finish: Ni Plated	1
2	Metal Screw Cap	Copper Alloy Finish: Ni Plated	1
1	Metal Chain	SUS 304 Finish:-	1
Item	Part Name	Material / Finish	Q'ty

TITLE						DRAWING NUMBER			REV.
Cap Metal For RJ45 C3 Screw Panel With Metal Chain						RR-2C213012			A1
	B	1:1	Joyce 05/24/12	Lucas 05/24/12	Ray 05/24/12	X.X ± 0.5 X.XX ± 0.2	X.XXX ± 0.05 ANGLES ± 1°	mm	1/1
THIRD ANGLE PROJECTION	SIZE	SCALE	DRAW / DATE	CHECK / DATE	APPROVE / DATE	TOLERANCES		UNIT	SHEET

**www.USBFireWire.com**

NOTICE OF PROPRIETARY PROPERTY:

THE INFORMATION CONTAINED HEREIN IS THE PROPRIETARY PROPERTY OF GT Contact CO.,LTD THE POSSESSOR AGREES TO THE FOLLOWING:

(a) TO MAINTAIN THIS DOCUMENT IN CONFIDENCE  
 (b) NOT TO REPRODUCE OR COPY IT  
 (c) NOT TO REVEAL OR PUBLISH IT IN WHOLE OR PART  
 (d) ALL RIGHTS RESERVED

1

2

3

4