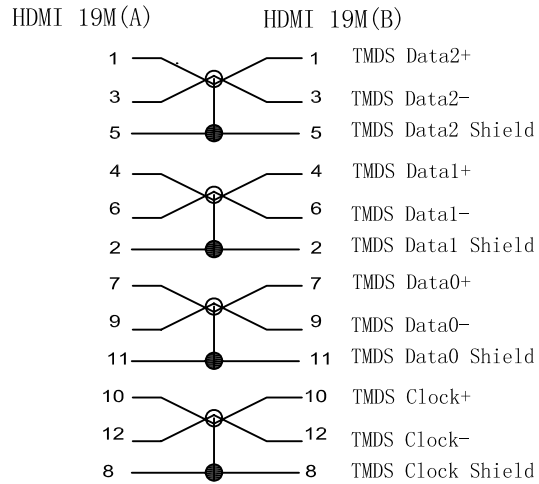
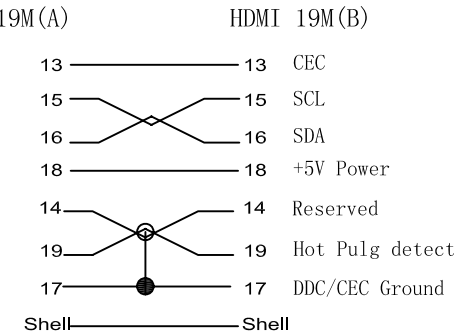


PIN ASSIGNMENT



PIN ASSIGNMENT



ROHS Compliant

						www.USBFireWire.com					
3	65P Black PVC			Tolerance, Unless Otherwise Specified		DRAW:		TITLE	HDMI AM TO AM		
2	HDMI AM,BLACK INSULATION,SHELL 3U" GOLD PLATED WITH SOLDER(P/N YQT-HAM3)			UP TO 5	±0.2	CHECKED:		PART NO.			
1	(1P*30AWG+D+AL)*5C+4C*30AWG+AL+D+B OD7.3 L=12in/24in/6ft/20ft Black			ABOVE 5 --30	±0.3	APPROVED:		DRAW NO.			
				ABOVE 30--50	±0.4	DATE	2012-09-18	SCALE	1:1	UNIT	mm
NO	Descriptron	Q' TY	Unit	ANGLE	±3°						