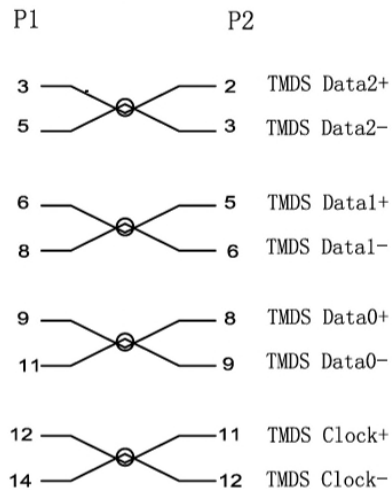
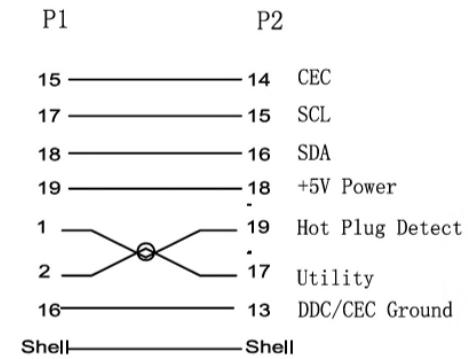


PIN ASSIGNMENT



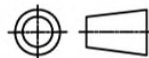
PIN ASSIGNMENT



ROHS Compliant

ELECTRICAL CHARACTER:

- a. 100% OPEN & SHORT TESTING;
- b. WITHSTANDING VOLTAGE:DC 300V 0.01Sec;
- c. INSULATION RESISTANCE:5M Ohm (Min);
- d. CONDUCTIVE RESISTANCE:3 Ohm (Max)



www.USBFireWire.com

NO	Descriptron	Q'	TY	Unit	ANGLE	±3°	DATE	SCALE	1:1	UNIT	mm
4	65P Black PVC										
3	HDMI CM, BLACK INSULATION, SHELL 3U" GOLD PLATED WITH SOLDER(P/N YQT-HCM3)										
2	HDMI DM, BLACK INSULATION, SHELL 3U" GOLD PLATED WITH SOLDER(P/N YQT-HDM3)										
1	(1P*30AWG+AL)*5C+5C*30AWG+AL+D+B OD4.5 L=12in/24in/6ft Black										
					Tolerance, Unless Otherwise Specified		DRAW:	TITLE		HDMI CM TO DM	
					UP TO 5	±0.2	CHECKED:	PART NO.		RR-7R-5S-XXGX	
					ABOVE 5 —30	±0.3	APPROVED:	DRAW NO.			
					ABOVE 30—50	±0.4					
					ABOVE 50	±0.5					