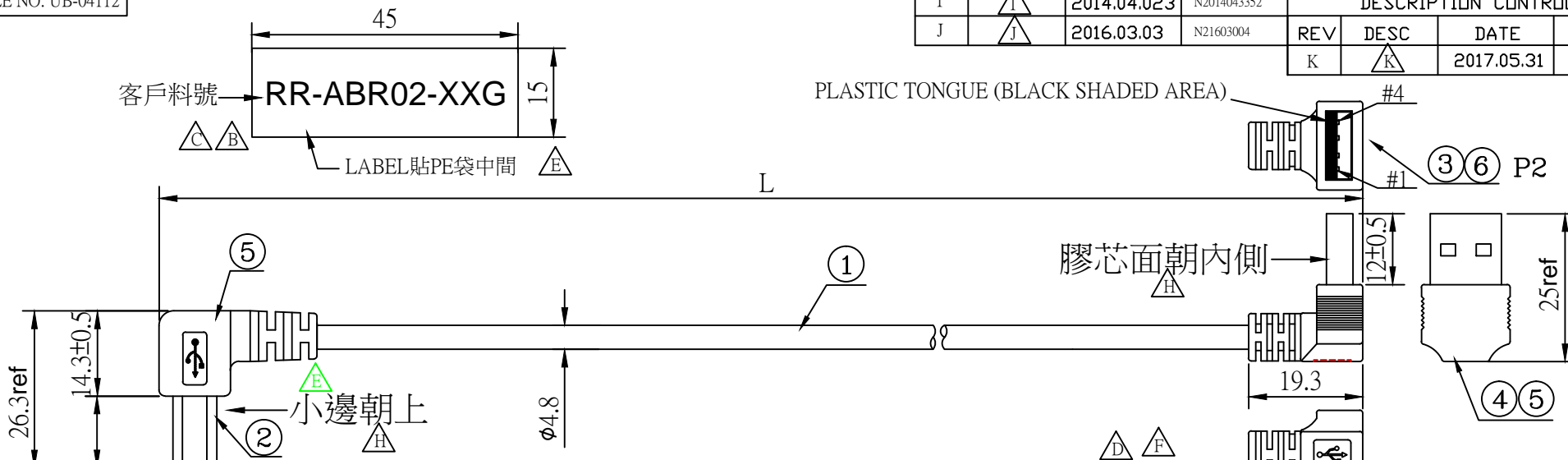


I	△	2014.04.023	N2014043352
J	△	2016.03.03	N21603004

DESCRIPTION CONTROL			
REV	DESC	DATE	APP
K	△K	2017.05.31	



CUSTOMER P/N**	Y-S P/N	L±T	M	PE袋	TIE
RR-ABR02-14G	UB2001021L04112	355±15	0.37	PE BAG:3"*8"*0.06MM	
RR-ABR02-04G	UB2001021L14112	100±15	0.12	PE BAG:3"*8"*0.06MM	
RR-ABR02-12G	UB2001021L24112	305±15	0.32	PE BAG:3"*8"*0.06MM	
RR-ABR02-24G	UB2001021L34112	609±15	0.61	PE BAG:5"*6"*0.06MM	80*1
RR-ABR02-72G	UB2001021L44112	1829±30	1.83	PE BAG:6"*8"*0.06MM	120*1

RoHS COMPLIANT

△F	*	220030000363	TIE-A-BK10	△E	***	MM
	*	390	LABEL:"RR-ABR02-XX"45*15MM	△C △B	1	PCS
	*	120020000001	CARTON:46*30*25CM		A/R	PCS
	*	120020000001	PE BAG:30"*28"*0.08MM		A/R	PCS
	*	390	PE BAG:L"*W"*0.06MM		1	PCS

PIN ASSIGNMENT	
P1	P2
1 ——— RED ——— 1	1
2 ——— WHITE ——— 2	2
3 ——— GREEN ——— 3	3
4 ——— BLACK ——— 4	4
S ——— BRAID ——— S	S

6	120020000001	PE-5321	3	G
5	120010000031	PVC-BK10/50	13.3	G
4	220	SOL-WIRE-FULL-TIN-1.0	1	G
3	110081304129	USB-A-P<WHITE>(一件式)<鐵殼鍍金>	1	PCS
2	110081304104	USB-B-P<WHITE>(一件式)<短型><鐵殼鍍金>	1	PCS
1	1303041100001	UL2725 (1P+2C)+AB BK10 OD:4.8MM (28/24USB線材)<REV:2.0>(指定聯類)	L	M
NO	PART NO	DESCRIPTION	QTY	UNIT

INNER MOLDING	USB.A329KF
OUTER MOLDING	USB.B361KF △E
	USB.A-328KF



THE INFORMATION CONTAINED HEREIN IS THE PROPRIETARY INFORMATION OF RR BUSINESS VENTURES, LLC. THE POSSESSOR AGREES TO MAINTAIN THIS DOCUMENT IN CONFIDENCE; NOT REPRODUCE IT OR COPY IT, AND NOT TO REVEAL OR PUBLISH IT IN WHOLE OR PART. COPYRIGHT © 2019

	ITEM: UB2001021LX4112	REV: K
DRAW, BY: 鐘有涓	SCALE: NONE	DATE: 2008-01-18
CHECK, BY:	CUSTOMER: C331 (陸鴻)	PAGE: 1/1
APP, BY:	CUSTOMER P/N: RR-ABR02-XXG	
ALL DIMENSIONS IN mm		