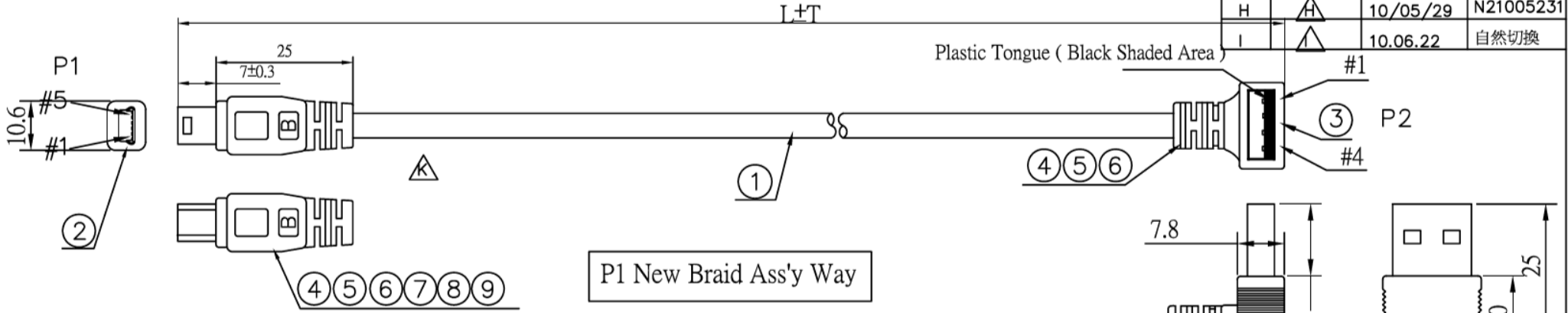
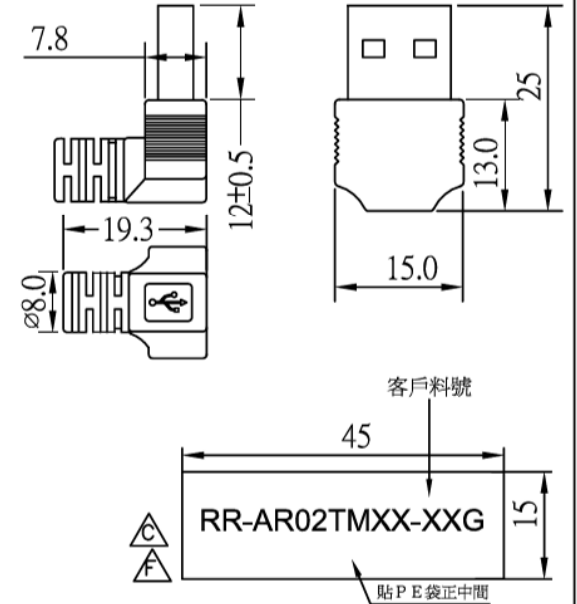


FILE NO:UB01021-04457

J		11.05.13	N21105084	DESCRIPTION CONTROL			
K		12.08.21	N21208087	REV	DESC	DATE	ECN NO
				G		09.11.24	N20911307
				H		10/05/29	N21005231
				I		10.06.22	自然切換

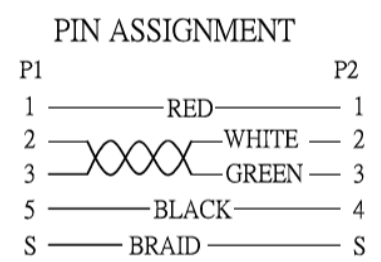


	CUSTOMER P/N	L±T	M	PE BAG:L*W*0.06MM	TIE-A/BK10
	RR-AR02TMB-72G	1830±30	1.83	PE BAG:6*8*0.06MM	120*1
	RR-AR02TMB-12G	305±20	0.31	PE BAG:5*6*0.06MM	
	RR-AR02TMB-06G	153±10	0.16	PE BAG:3*8*0.06MM	
	RR-AR02TMB-04.8G	122±10	0.13	PE BAG:3*6*0.06MM	



*	390	LABEL:"RR-AR02TMB-XXG"45*15MM			1	PCS
*	390	TIE-A/BK			***	MM
*	31000000012	CARTON:46*30*25CM			A/R	PCS
*	30001000001	PE BAG:30*28*0.08MM			A/R	PCS
*	390	PE BAG:L*W*0.06MM			1	PCS
9	210010000328	FOIL-CU-8MM			26*1	MM
8	200034000032	TUBE-HT-∅1.0MM (薄型)			5*3	MM
7	210030000057	HI TEAMP TAPE:W:6MM			20*1	MM
6	230020000001	SOL-WIRE-FULL-TIN-1.0			0.5	G
5	120010000031	PVC-BK10/50			10.0	G
4	120020000001	PE-5321			3.0	G
3	110081304129	USB-A-P<WHITE> (一件式)<鐵殼鍍金>			1	SET
2	110081004087	MINI-USB-B-5P<BK> (超薄)<鐵殼鍍金>			1	SET
1	130304110000X	28#*1P+24#*2C+AB-BK10-4.8U2725<REV:2.0>			L	M
NO	PART NO.	DESCRIPTION	QTY	UNIT		

RoHS COMPLIANT



www.USBFireWire.com

	ITEM: RR-AR02TMB-XXG	REV
		K
DRAW, BY: 易莉	SCALE: NONE	DATE: 2008.12.18
CHECK, BY:	CUSTOMER: C33<陸鴻>	PAGE: 1/2
APP, BY:	CUSTOMER P/N: RR-AR02TMB-XXG	
ALL DIMENSIONS IN mm		