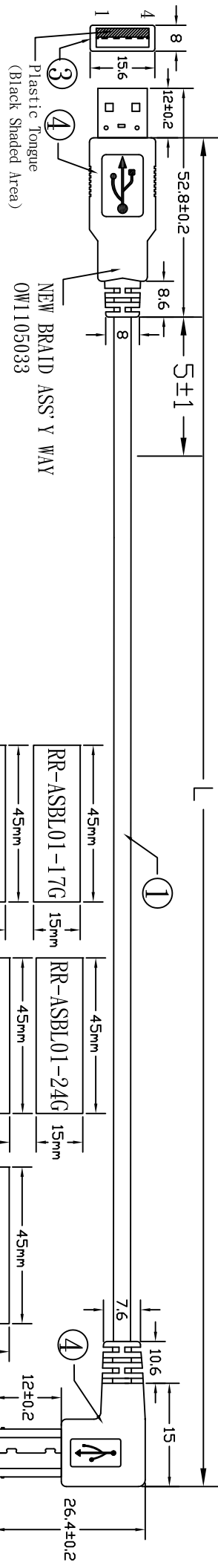
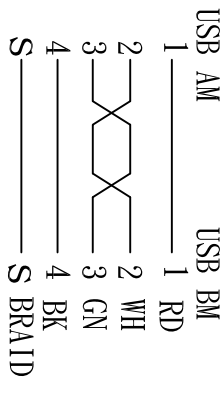


CHANGE VERSION	REMARKS	M	11/10/06	CHANGE CABLE	P	14/10/26	CHANGE PACKAGE	I	08/07/19	SELF REMARKS
A 07/03/07	REL	N	13/02/21	REMOVE STICKER, CHANGE CABLE	G	08/02/14	ADD P/N	J	08/08/11	ADD P/N
L 11/05/18	ADD BRAID WAY	□	13/03/26	ADD P/N, 108G	H	08/04/14	ADD P/N, CFM P/N AND STICKER	K	08/11/12	ADD P/N



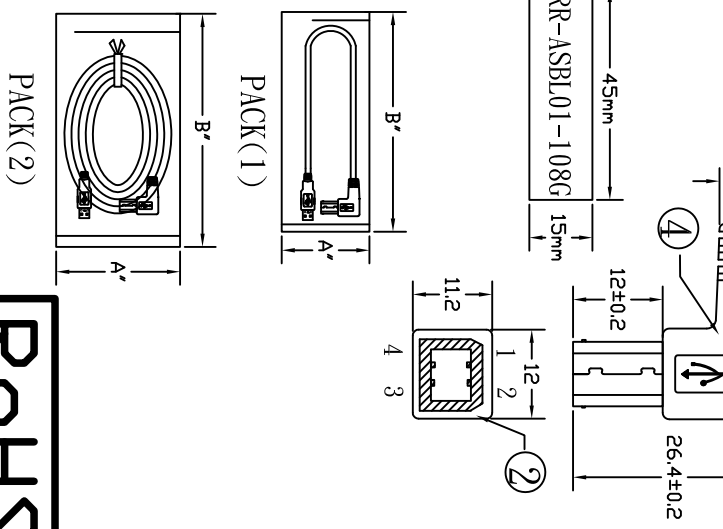
NEW BRAID ASS'Y WAY  
OW1105033

PIN OUT :



P/N	LENGTH	PACK	PE BAG
RR-ASBL01-09G	229±10	(1)	06*3"*8"
RR-ASBL01-10G	255±10	(1)	06*3"*8"
RR-ASBL01-11G	280±10	(1)	06*3"*8"
RR-ASBL01-12G	305±10	(1)	06*3"*8"
RR-ASBL01-15G	381±10	(1)	06*3"*8"
RR-ASBL01-17G	432±10	(2)	06*4"*6"
RR-ASBL01-18G	458±10	(2)	06*4"*6"
RR-ASBL01-24G	610±20	(2)	06*4"*6"
RR-ASBL01-30G	762±20	(2)	06*4"*6"
RR-ASBL01-36G	915±30	(2)	06*4"*6"
RR-ASBL01-72G	1830±50	(2)	06*6"*8"
RR-ASBL01-60G	1524±30	(2)	06*6"*8"
RR-ASBL01-78G	1981±50	(2)	06*6"*8"
RR-ASBL01-108G	2743±50	(2)	06*6"*8"
RR-ASBL01-118G	2998±50	(2)	06*6"*8"

P/N	LENGTH	UNIT	SCALE
RR-ASBL01-17G	45mm	15mm	
RR-ASBL01-24G	45mm	15mm	
RR-ASBL01-30G	45mm	15mm	
RR-ASBL01-36G	45mm	15mm	
RR-ASBL01-10G	45mm	15mm	
RR-ASBL01-11G	45mm	15mm	
RR-ASBL01-12G	45mm	15mm	
RR-ASBL01-15G	45mm	15mm	
RR-ASBL01-78G	45mm	15mm	



MATERIAL LIST :

NO.	P/NAME	DESCRIPTION	Q' TY
1	WIRE	UU2725 28AWG(7/0.12 TC)*1P+24AWG(7/0.20 TC)*2C+AL+1(TC)+ B(16*4/0.10 TC) OD:5.0±0.15 BLACK (B792) 2.0 (COMPARTNER)	1
2	PLUG	USB"B" TYPE MALE GOLD PLATED SHORT TYPE	1
3	PLUG	USB"A" TYPE MALE GOLD PLATED	1
4	PVC	45P BLACK (B792)PVC	12g
5	PACKAGE	IPCE/PE BAG:06*A"*B"+ P/N STICKER	1

MOLD TOOL NO  
"A" TYPE A110-160-001  
"B" TYPE A110-393-001

DATE 14/10/06

FILE NAME OW0703004

CUSTOMER P/N

SCALE UNIT REV

CUSTOMER P

CONFIRMED BY

CHECKED BY

DRAWN BY

MARCOS

CHECKED BY

APPROVED BY



THE INFORMATION CONTAINED HEREIN IS THE PROPRIETARY INFORMATION OF RR BUSINESS VENTURES, LLC. THE POSSESSOR AGREES TO MAINTAIN THIS DOCUMENT IN CONFIDENCE; NOT REPRODUCE IT OR COPY IT; AND NOT TO REVEAL OR PUBLISH IT IN WHOLE OR PART. COPYRIGHT © 2019

**ROHS**