

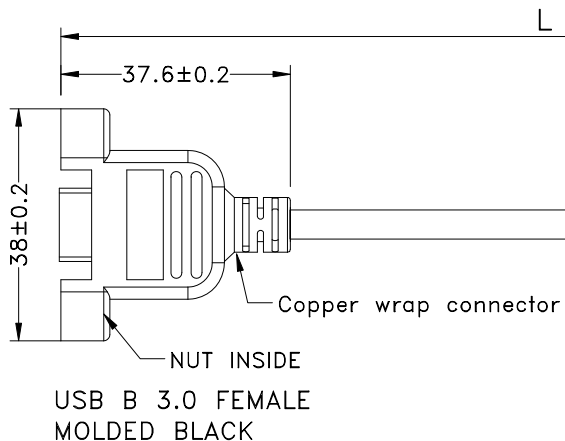
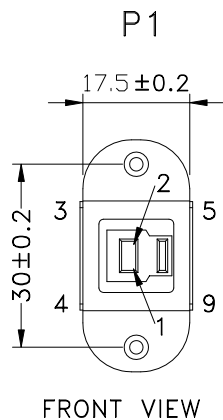
1

2

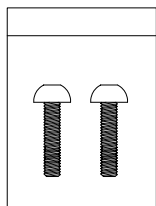
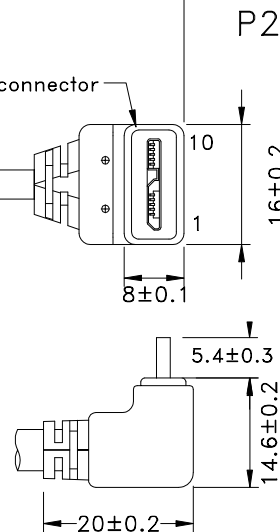
3

4

REV	ECN#	DESCRIPTION OF REVISION	DRAW BY DATE	CHECK BY DATE	APPROVE BY DATE
A0		Mass Production	Lucas 09/29/14	Ray 09/29/14	Ray 09/29/14



Copper wrap connector



PIN OUT	
USB BF	Micro-USB BM
1 — RED	1
2 — WHITE	2
3 — GREEN	3
4 — BLACK	5
5 — BLUE	6
6 — YELLOW	7
7 — DRAIN	8
8 — PURPLE	9
9 — ORANGE	10
SHEEL — BRAID	SHEEL

P/N	LENGTH
RR-MDBFPM-20GR	508 <sup>+30</sup> <sub>0</sub>
RR-MDBFPM-36GR	915 <sup>+40</sup> <sub>0</sub>

DOC.CENTER.ISSUE  
OCT.27.2015  
ONLY FOR  
RELEASE

TITLE USB3.0 BF TO Micro-BM RIGHT ANGLE DOWN				DRAWING NUMBER RR-MDBFPM-XXGR				REV. A0	
	B	1:1	Lucas 09/29/14	Ray 09/29/14	Ray 09/29/14	X.X ± 0.5 X.XX ± 0.2	X.XXX ± 0.05 ANGLES ± 1°	mm	1/3
THIRD ANGLE PROJECTION	SIZE	SCALE	DRAW / DATE	CHECK / DATE	APPROVE / DATE	TOLERANCES		UNIT	SHEET

USB FIREWIRE.com

THE INFORMATION CONTAINED HEREIN IS THE PROPRIETARY INFORMATION OF RR BUSINESS VENTURES, LLC. THE POSSESSOR AGREES TO THE FOLLOWING:

1. MAINTAIN THIS DOCUMENT IN CONFIDENCE
2. NOT TO REPRODUCE OR COPY IT
3. NOT TO REVEAL OR PUBLISH IT IN WHOLE OR IN PART

COPYRIGHT © 2019

1

2

3

4

1

2

3

4

REV	ECN#	DESCRIPTION OF REVISION	DRAW BY DATE	CHECK BY DATE	APPROVE BY DATE
A0		Mass Production	Lucas 09/29/14	Ray 09/29/14	Ray 09/29/14

\*\*\*CONSTRUCTION:

1.CABLE: \* UL2725 (1PR/28#+EAM)\*2+(1PR/28#+A)+2C/24#+AB85%  
 OD:5.5mm BLACKE JACKET (REV:3.0)

\*\*\*CONNECTOR:

2.USB B/F: \* USB B "3.0" TYPE 9PIN FEMALE SOLDER TYPE. (XKJX P/N:CU3F043D16T00R)  
 \* PINS: 30u GOLD PLATED OVER NICKEL.  
 \* SHELL: BRASS WITH GOLD FLASH .  
 \* INSULATOR: BLUE COLOR P.B.T UL 94V-0 RATED.  
 \* SCREW: 5.0\*11mm, NUT:4.75x1.8mm #4-40UNC .  
 \* MOLDED BLACK PVC 30P.

3.Micro-USB B/M: \* MICRO-USB B "3.0" TYPE 10PIN MALE SOLDER TYPE.(SWEETRAY P/N:CHMICROUSB3BM01E)  
 \* PINS: 30u GOLD PLATED OVER NICKEL.  
 \* SHELL: STEEL WITH GOLD FLASH .  
 \* INSULATOR: BLACK COLOR P.B.T UL 94V-0 RATED.  
 \* MOLDED BLACK PVC 45P.

4.TEST: \* CT: 2 ohm IS: 5M ohm.  
 5.PACKING: \* PACK EACH CABLE IN A POLY BAG AND 25PCS IN A POLY BAG.  
 6.MATERIAL: \* MATERIAL WITH RoHS GRADE.



TITLE USB3.0 BF TO Micro-BM RIGHT ANGLE DOWN			DRAWING NUMBER RR-MDBFPM-XXGR			REV. A0	
---	--	--	----------------------------------	--	--	------------	--

	B	1:1	Lucas 09/29/14	Ray 09/29/14	Ray 09/29/14	X.X ± 0.5 X.XX ± 0.2	X.XXX ± 0.05 ANGLES ± 1°	mm	2/3
THIRD ANGLE PROJECTION	SIZE	SCALE	DRAW / DATE	CHECK / DATE	APPROVE / DATE	TOLERANCES		UNIT	SHEET

THE INFORMATION CONTAINED HEREIN IS THE PROPRIETARY INFORMATION OF RR BUSINESS VENTURES, LLC. THE POSSESSOR AGREES TO THE FOLLOWING

1. MAINTAIN THIS DOCUMENT IN CONFIDENCE
2. NOT TO REPRODUCE OR COPY IT
3. NOT TO REVEAL OR PUBLISH IT IN WHOLE OR IN PART

COPYRIGHT © 2019

1

2

3

4